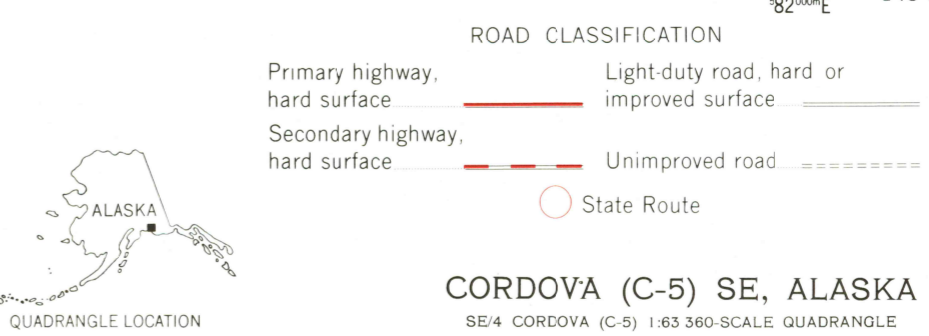
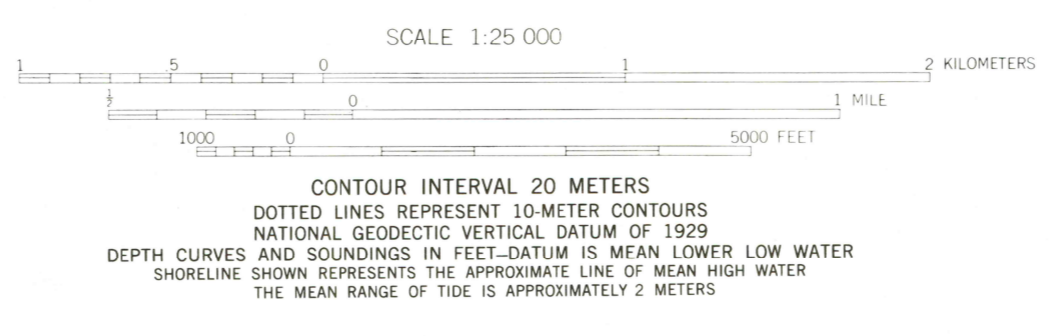


Mapped, edited, and published by the Geological Survey  
Control by USGS and NOS/NOAA  
Topography by photogrammetric methods from aerial photographs taken 1976. Field checked 1977. Map edited 1983  
Selected hydrographic data compiled from NOS/NOAA chart 16710 (1983)  
This information is not intended for navigational purposes  
Projection and 1000-meter grid  
Universal Transverse Mercator, zone 6  
10,000-foot grid ticks based on Alaska coordinate system, zone 3. 1927 North American datum  
To place on the predicted North American Datum 1983 move the projection lines 60 meters north and 112 meters east  
Land lines represent unsurveyed and unmarked locations predetermined by the Bureau of Land Management  
Folio CR-5, Copper River Meridian  
Swamps, as portrayed, indicate only the wetter areas, usually of low relief, as interpreted from aerial photographs  
There may be private inholdings within the boundaries of the National or State reservations shown on this map



CORDOVA (C-5) SE, ALASKA  
SE/4 CORDOVA (C-5) 1:63 360-SCALE QUADRANGLE  
N6030-W14530/7.5X11.25

4/23/84

THIS MAP COMPLIES WITH NATIONAL MAP ACCURACY STANDARDS  
FOR SALE BY U.S. GEOLOGICAL SURVEY  
FAIRBANKS, ALASKA 99701, DENVER, COLORADO 80225, OR RESTON, VIRGINIA 22092  
A FOLDER DESCRIBING TOPOGRAPHIC MAPS AND SYMBOLS IS AVAILABLE ON REQUEST

CONTOURS AND ELEVATIONS IN METERS

1983