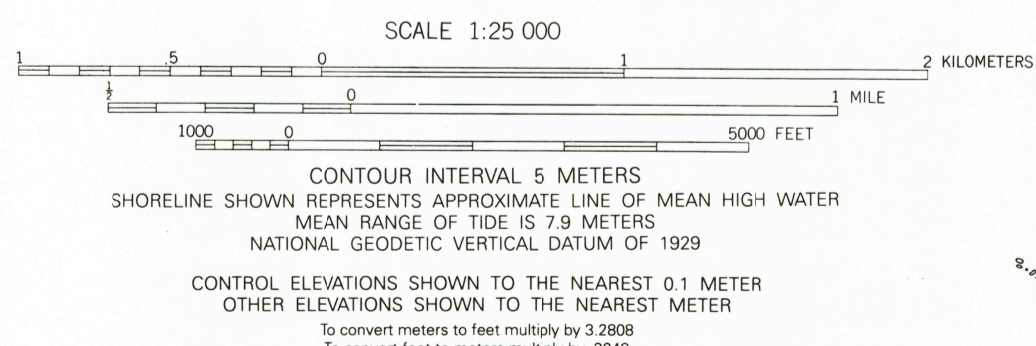
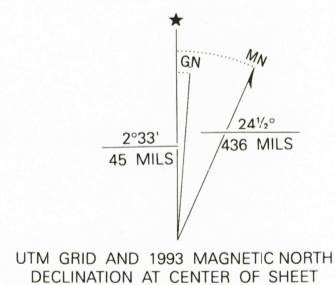


Produced by the United States Geological Survey
Control by USGS and NOS/NOAA
Compiled from aerial photographs taken 1972. Revisions shown in purple and woodland compiled from aerial photographs taken 1988 and 1990 and other sources and have been field checked Map edited 1993. Conflicts may exist between some updated features and previously mapped contours
1927 North American Datum (NAD 27). Projection and blue 1000-meter ticks: Universal Transverse Mercator, zone 5 10000-foot ticks: Alaska Coordinate System, zone 4
North American Datum of 1983 (NAD 83) is shown by dashed corner ticks. The values of the shift between NAD 27 and NAD 83 for 7.5-minute intersections are given in USGS Bulletin 1875
There may be private inholdings within the boundaries of the National or State reservations shown on this map
Swamps, as portrayed, indicate only wetter areas, usually of low relief, as interpreted from aerial photographs



ROAD CLASSIFICATION

Primary highway, hard surface	Light-duty road, hard or improved surface
Secondary highway, hard surface	Unimproved road
	State Route

TYONEK (B-1) SE, ALASKA
SE/4 TYONEK (B-1) 1:63 360 SCALE QUADRANGLE
61150-C1-TM-025

1979
REVISED 1993

COMPLIES WITH U.S. GEOLOGICAL SURVEY STANDARDS FOR SPATIAL ACCURACY—CLASS 2
FOR SALE BY U.S. GEOLOGICAL SURVEY
FAIRBANKS, ALASKA 99701; DENVER, COLORADO 80225; OR RESTON, VIRGINIA 22092
A FOLDER DESCRIBING TOPOGRAPHIC MAPS AND SYMBOLS IS AVAILABLE ON REQUEST

CONTOURS AND ELEVATIONS
IN METERS

