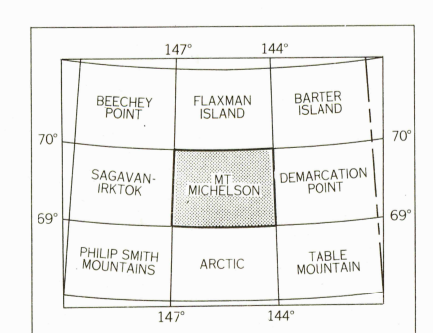
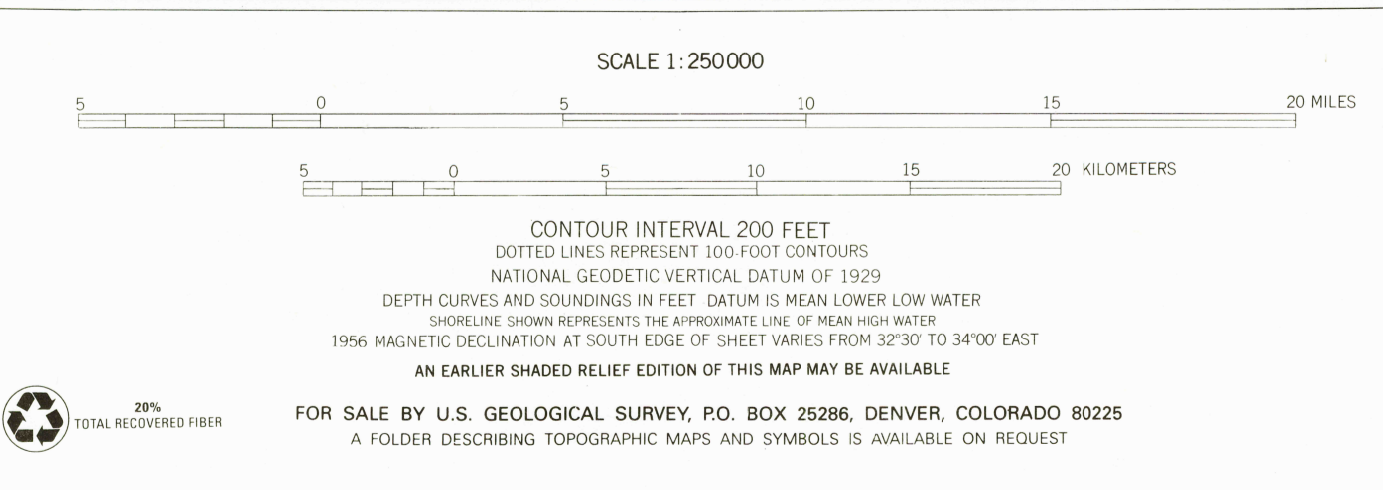


US GEOLOGICAL SURVEY
 LIBRARY
 JUL 12 2002
 RESTON, VA

USGS LIBRARY - RESTON
 3 1818 00364055 2

MAPPED, EDITED, AND PUBLISHED BY THE GEOLOGICAL SURVEY
 CONTROL BY USGS, NOS/NOAA, AND USCE
 COMPILED IN 1959 FROM AERIAL PHOTOGRAPHS TAKEN 1956
 AND FROM DEFENSE MAPPING AGENCY 1:50,000-SCALE MAPS
 SURVEYED 1955. FIELD ANNOTATED 1956. REVISED IN PART
 FROM AERIAL PHOTOGRAPHS TAKEN 1978. MAP NOT FIELD CHECKED
 PROJECTION AND 10,000-METER GRID TICKS SHOWN IN BLUE:
 UNIVERSAL TRANSVERSE MERCATOR, ZONE 6
 100,000-FOOT GRID TICKS BASED ON ALASKA COORDINATE SYSTEM, ZONE 3
 1927 NORTH AMERICAN DATUM. TO PLACE ON THE PREDICTED NORTH
 AMERICAN DATUM 1983 MOVE THE PROJECTION LINES 28 METERS NORTH
 AND 111 METERS EAST
 SELECTED HYDROGRAPHIC DATA COMPILED FROM NOS CHART 16044
 THIS INFORMATION IS NOT INTENDED FOR NAVIGATIONAL PURPOSES
 GRAY LAND LINES REPRESENT UNSURVEYED AND UNMARKED LOCATIONS
 PREDETERMINED BY THE BUREAU OF LAND MANAGEMENT
 FOLIOS U-2, U-12 AND U-13, UMIAT MERIDIAN

SWAMPS AS PORTRAYED, INDICATE ONLY THE WETTER AREAS,
 USUALLY OF LOW RELIEF, AS INTERPRETED FROM AERIAL PHOTOGRAPHS
 LAKE ELEVATIONS ARE UNCHECKED
 THERE MAY BE PRIVATE INHOLDINGS WITHIN THE BOUNDARIES OF
 THE NATIONAL OR STATE RESERVATIONS SHOWN ON THIS MAP
 FEDERAL RESERVATION BOUNDARIES ESTABLISHED BY THE ALASKA NATIONAL
 INTEREST LANDS CONSERVATION ACT, PL 96-487, DEC 2, 1980 ARE SHOWN AS
 COMPILED BY THE ADMINISTERING AGENCIES



ROAD CLASSIFICATION
 UNIMPROVED DIRT
 MT. MICHELSON, ALASKA
 N6900-W14400/60X180
 1956
 LIMITED REVISIONS 1983

ISBN 0-607-02799-1
 9 780607 027991