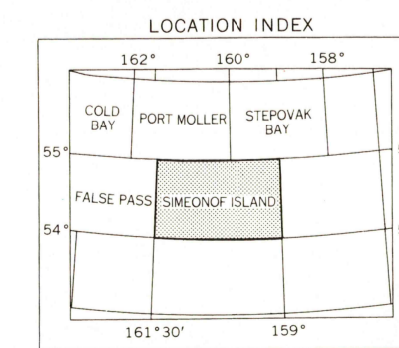
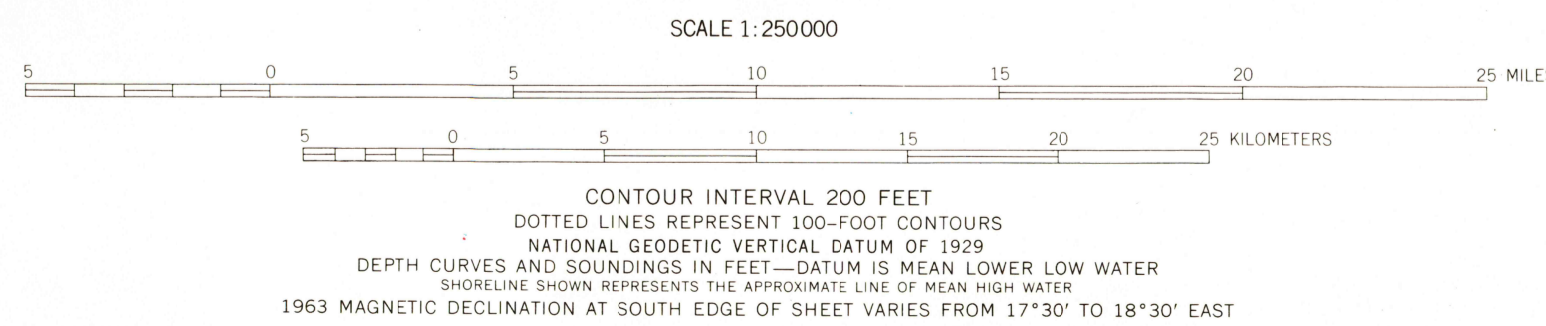




MAPPED, EDITED, AND PUBLISHED BY THE GEOLOGICAL SURVEY
CONTROL BY USGS AND USC&GS
COMPILED IN 1966 FROM U. S. GEOLOGICAL SURVEY 1:63,360 SCALE MAPS,
SURVEYED IN 1963. MAP NOT FIELD CHECKED.
SELECTED HYDROGRAPHIC DATA COMPILED FROM USC&GS
CHARTS 8851 (1967) AND 8859 (1964).
THIS INFORMATION IS NOT INTENDED FOR NAVIGATIONAL PURPOSES.
UNIVERSAL TRANSVERSE MERCATOR PROJECTION. 1927 NORTH AMERICAN DATUM
100,000-FOOT GRIDS BASED ON ALASKA COORDINATE SYSTEM, ZONES 7 AND 6
10,000-METER UNIVERSAL TRANSVERSE MERCATOR GRID TICKS,
ZONE 4, SHOWN IN BLUE.
LAND LINES REPRESENT UNSURVEYED AND UNMARKED LOCATIONS
PREDETERMINED BY THE BUREAU OF LAND MANAGEMENT
FOLIO S-30, SEWARD MERIDIAN

OFFSHORE PROTRACTOR SURVEY DATA, PRINTED IN RED, COMPILED BY
THE BUREAU OF LAND MANAGEMENT. HEAVY LINES INDICATE LIMITS OF
BLM OUTER CONTINENTAL SHELF OFFICIAL PROTRACTOR DIAGRAMS
DATED FEBRUARY 3, 1977 AND OCTOBER 6, 1976. THE PROTRACTORS ON
THIS MAP ARE NOT FOR FEDERAL LEASING PURPOSES. FOR SUCH PURPOSES,
REFER TO THE 1:250,000 SCALE OCS OFFICIAL PROTRACTOR DIAGRAMS
AVAILABLE FROM THE BUREAU OF LAND MANAGEMENT.
THERE MAY BE PRIVATE INHOLDINGS WITHIN THE BOUNDARIES OF
THE NATIONAL OR STATE RESERVATIONS SHOWN ON THIS MAP.



ROAD CLASSIFICATION

TRAILS

USGS
Historical File
National Mapping Division

SIMEONOF ISLAND, ALASKA
N5400—W15900/60X150

1963

FOR SALE BY U. S. GEOLOGICAL SURVEY
FAIRBANKS, ALASKA 99701, DENVER, COLORADO 80225 OR RESTON, VIRGINIA 22092
A FOLDER DESCRIBING TOPOGRAPHIC MAPS AND SYMBOLS IS AVAILABLE ON REQUEST

APR 10 1963