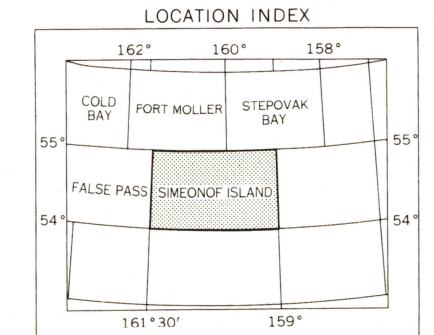
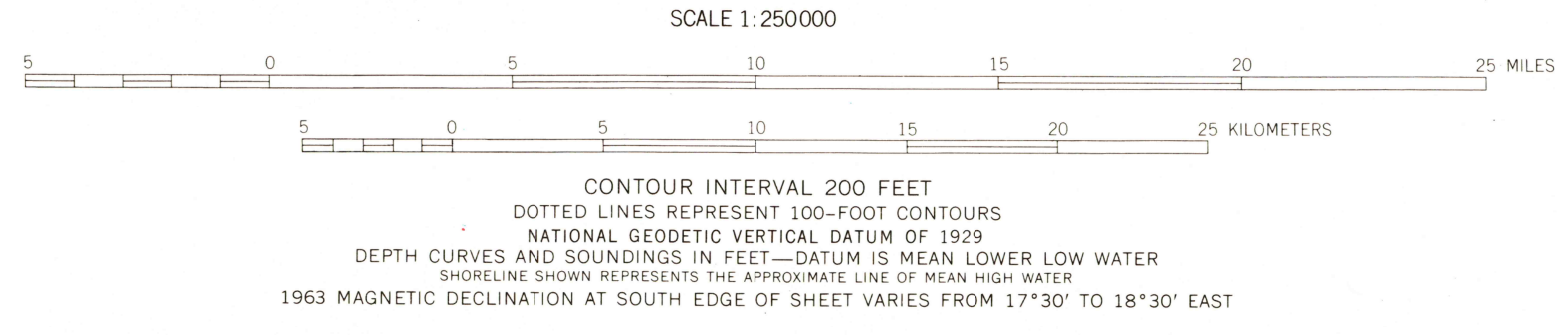




MAPPED, EDITED, AND PUBLISHED BY THE GEOLOGICAL SURVEY  
CONTROL BY USGS AND USC&GS  
COMPILED IN 1966 FROM U. S. GEOLOGICAL SURVEY 1:63,360 SCALE MAPS,  
SURVEYED IN 1963. MAP NOT FIELD CHECKED  
SELECTED HYDROGRAPHIC DATA COMPILED FROM USC&GS  
CHARTS 8851 (1967) AND 8859 (1964)  
THIS INFORMATION IS NOT INTENDED FOR NAVIGATIONAL PURPOSES  
UNIVERSAL TRANSVERSE MERCATOR PROJECTION. 1927 NORTH AMERICAN DATUM  
100,000-FOOT GRIDS BASED ON ALASKA COORDINATE SYSTEM, ZONES 7 AND 6  
10,000-METER UNIVERSAL TRANSVERSE MERCATOR GRID TICKS,  
ZONE 4, SHOWN IN BLUE  
LAND LINES REPRESENT UNSURVEYED AND UNMARKED LOCATIONS  
PREDETERMINED BY THE BUREAU OF LAND MANAGEMENT  
FOLIO S-30, SEWARD MERIDIAN

OFFSHORE PROTRACTION SURVEY DATA, PRINTED IN RED, COMPILED BY  
THE BUREAU OF LAND MANAGEMENT. HEAVY LINES INDICATE LIMITS OF  
BLM OUTER CONTINENTAL SHELF OFFICIAL PROTRACTION DIAGRAMS  
DATED FEBRUARY 3, 1977 AND OCTOBER 6, 1976. THE PROTRACTIONS ON  
THIS MAP ARE NOT FOR FEDERAL LEASING PURPOSES; FOR SUCH PURPOSES,  
REFER TO THE 1:250,000 SCALE OCS OFFICIAL PROTRACTION DIAGRAMS  
AVAILABLE FROM THE BUREAU OF LAND MANAGEMENT  
THERE MAY BE PRIVATE INHOLDINGS WITHIN THE BOUNDARIES OF  
THE NATIONAL OR STATE RESERVATIONS SHOWN ON THIS MAP



ROAD CLASSIFICATION  
TRAILS

SIMEONOF ISLAND, ALASKA  
N5400—W15900/60X150

FOR SALE BY U. S. GEOLOGICAL SURVEY  
FAIRBANKS, ALASKA 99701, DENVER, COLORADO 80225, OR RESTON, VIRGINIA 22092  
A FOLDER DESCRIBING TOPOGRAPHIC MAPS AND SYMBOLS IS AVAILABLE ON REQUEST

USGS NMD HISTORICAL MAP ARC  
SIMEONOF ISLAND  
1963  
ISBN # 060703288X AK 250  
9 780607 032888