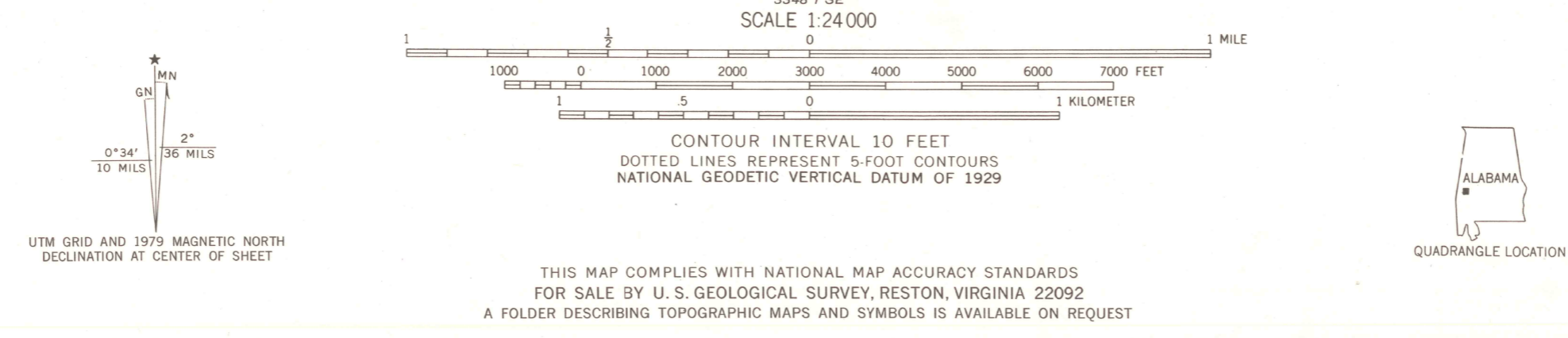


Mapped, edited, and published by the Geological Survey  
Control by USGS and USC&GS  
Topography by photogrammetric methods from aerial photographs taken 1967. Field checked 1971  
Projection and 10,000-foot grid ticks: Alabama coordinate system, west zone (transverse Mercator)  
1000-meter Universal Transverse Mercator grid ticks, zone 16, shown in blue. 1927 North American datum  
Fine red dashed lines indicate selected fence and field lines where generally visible on aerial photographs. This information is unchecked  
Revisions shown in purple and woodland compiled from aerial photographs taken 1976 and other source data  
This information not field checked. Map edited 1979



**ROAD CLASSIFICATION**

Primary highway, hard surface	Light-duty road, hard or improved surface
Secondary highway, hard surface	Unimproved road
Interstate Route	U. S. Route
	State Route

COATOPA, ALA.  
N3222.5—W8800/7.5  
1971  
PHOTOREVISED 1979  
AMS 3548 1 NE—SERIES V844

USGS LIBRARY - RESTON  
3 1818 00534393 2

