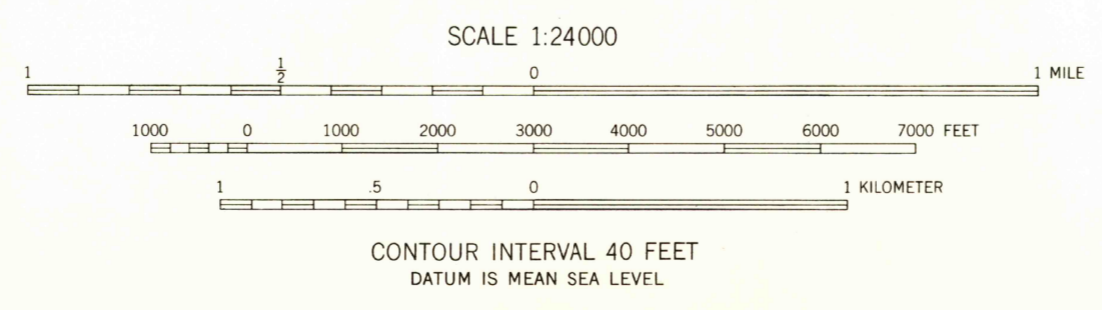
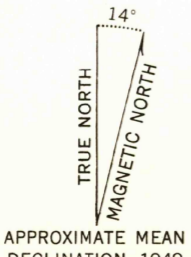




Mapped, edited, and published by the Geological Survey
Control by USGS and USC&GS
Topography from aerial photographs by multiplex methods
Aerial photographs taken 1947. Field check 1949
Polyconic projection. 1927 North American datum
10,000-foot grid based on Arizona coordinate system,
central zone
1000-meter Universal Transverse Mercator grid ticks,
zone 12, shown in blue



USGS
Historical File
Topographic Division

ROAD CLASSIFICATION
Unimproved dirt =-----

USGS
FILE COPY
TOPOGRAPHIC DIVISION
BRANDENBURG MTN., ARIZ.
N3252.5-W11030/7.5
1949

THIS MAP COMPLIES WITH NATIONAL MAP ACCURACY STANDARDS
FOR SALE BY U. S. GEOLOGICAL SURVEY, DENVER 25, COLORADO OR WASHINGTON 25, D. C.
A FOLDER DESCRIBING TOPOGRAPHIC MAPS AND SYMBOLS IS AVAILABLE ON REQUEST

1520