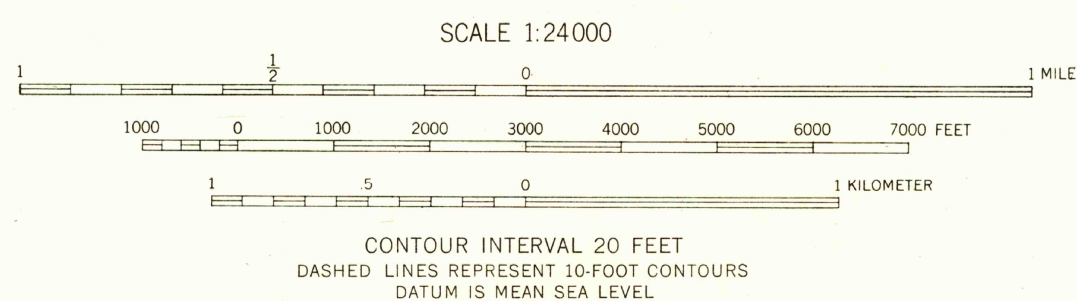


U.S.G.S.
FILE COPY
TOPOGRAPHIC DIVISION

Mapped, edited, and published by the Geological Survey
Control by USGS, USC&GS, USCE, and USBR
Topography from aerial photographs by photogrammetric methods
Aerial photographs taken 1953. Field check 1955
Polyconic projection. 1927 North American datum
10,000-foot grids based on Arizona coordinate system, west zone
and California coordinate system, zone 6
Dashed land lines indicate approximate locations
Unchecked elevations are shown in brown
State boundary subject to adjustment

TRUE NORTH
MAGNETIC NORTH
APPROXIMATE MEAN
DECLINATION, 1955



USGS
Historical File
Topographic Division



U.S.G.S.
FILE COPY
TOPOGRAPHIC DIVISION

ROAD CLASSIFICATION
Heavy-duty ——— Light-duty ———
Medium-duty ——— Unimproved dirt ———
U. S. Route —○— State Route —○—

CIBOLA, ARIZ.—CALIF.
SW/4 CIBOLA 15' QUADRANGLE
N 3315—W 11437.5/7.5

1955

THIS MAP COMPLIES WITH NATIONAL MAP ACCURACY STANDARDS
FOR SALE BY U. S. GEOLOGICAL SURVEY, FEDERAL CENTER, DENVER, COLORADO OR WASHINGTON 25, D. C.
A FOLDER DESCRIBING TOPOGRAPHIC MAPS AND SYMBOLS IS AVAILABLE ON REQUEST

2585