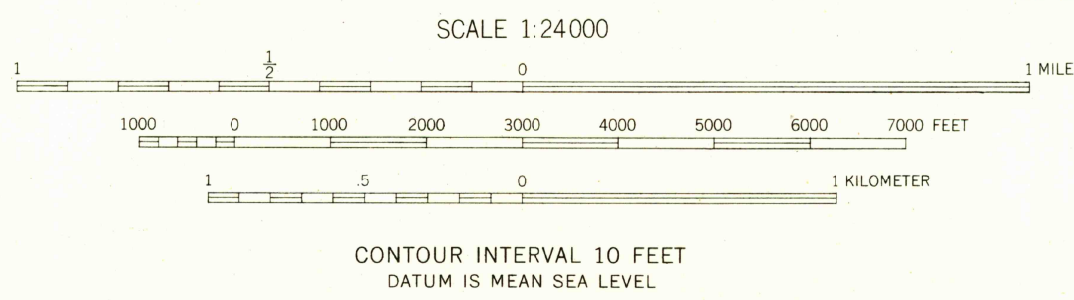


Mapped by the Army Map Service  
Published for civil use by the Geological Survey  
Control by USGS, USC&GS, and USCE  
Topography from aerial photographs by photogrammetric methods  
Aerial photographs taken 1951. Field check 1952  
Polyconic projection, 1927 North American datum  
10,000-foot grid based on Arizona coordinate system, central zone  
1000-meter Universal Transverse Mercator grid ticks,  
zone 12, shown in blue  
Unchecked elevations are shown in brown

TRUE NORTH  
MAGNETIC NORTH  
APPROXIMATE MEAN  
DECLINATION, 1952



USGS  
Historical File  
Topographic Division



ROAD CLASSIFICATION  
Heavy-duty ——— Light-duty ———  
Medium-duty ——— Unimproved dirt ———  
○ State Route

U.S.G.S.  
FILE COPY  
TOPOGRAPHIC DIVISION

GILA BUTTE SE, ARIZ.  
SE/4 GILA BUTTE 15' QUADRANGLE  
N3300—W11145/7.5

1952

THIS MAP COMPLIES WITH NATIONAL MAP ACCURACY STANDARDS  
FOR SALE BY U. S. GEOLOGICAL SURVEY, DENVER 2, COLORADO OR WASHINGTON 25, D. C.  
A FOLDER DESCRIBING TOPOGRAPHIC MAPS AND SYMBOLS IS AVAILABLE ON REQUEST

OCT - 2 1957  
2140

U.S.G.S.  
FILE COPY  
TOPOGRAPHIC DIVISION