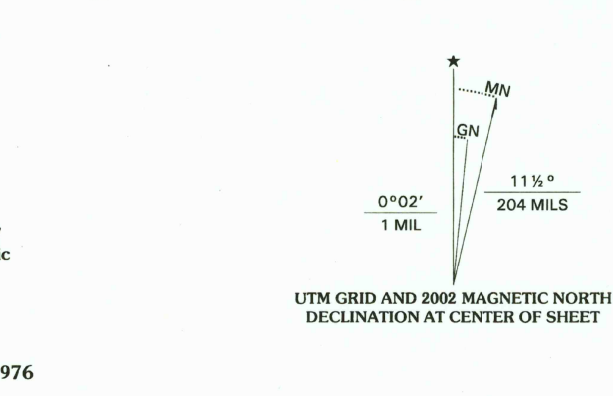


Produced by the United States Geological Survey Topography compiled 1975. Planimetry derived from imagery taken 1996 and other sources. Public Land Survey System and survey control current as of 1976. Boundaries current as of 2000 North American Datum of 1983 (NAD 83). Projection and 1 000-meter grid: Universal Transverse Mercator, zone 12 2 500-meter ticks: Arizona Coordinate System of 1983 (central zone) North American Datum of 1927 (NAD 27) is shown by dashed corner ticks. The values of the shift between NAD 83 and NAD 27 for 7.5-minute intersections are obtainable from National Geodetic Survey NADCON software There may be private inholdings within the boundaries of the National or State reservations shown on this map Where omitted, land lines have not been established Houses of worship, schools, and other labeled buildings verified 1976



SCALE 1:24 000 CONTOUR INTERVAL 40 FEET SUPPLEMENTARY CONTOUR INTERVAL 20 FEET NATIONAL GEODETIC VERTICAL DATUM OF 1929 TO CONVERT FROM FEET TO METERS, MULTIPLY BY 0.3048 RECEIVED JUN 3 0 2002 USGS/USFWS HISTORICAL MAP ARCHIVES

ROAD CLASSIFICATION: Primary highway, Secondary highway, Light-duty road, hard or improved surface, Unimproved road, Interstate Route, U.S. Route, State Route. QUADRANGLE LOCATION: 1 Tortolita Mountains, 2 Oracle Junction, 3 Oracle, 4 Ruelas Canyon, 5 Mount Lemmon, 6 Jaynes, 7 Tucson North, 8 Sabino Canyon. ORO VALLEY, AZ 1996 NIMA 3848 IV NW-SERIES V898

THIS MAP COMPLIES WITH NATIONAL MAP ACCURACY STANDARDS FOR SALE BY U.S. GEOLOGICAL SURVEY, P.O. BOX 25286, DENVER, COLORADO 80225 A FOLDER DESCRIBING TOPOGRAPHIC MAPS AND SYMBOLS IS AVAILABLE ON REQUEST

