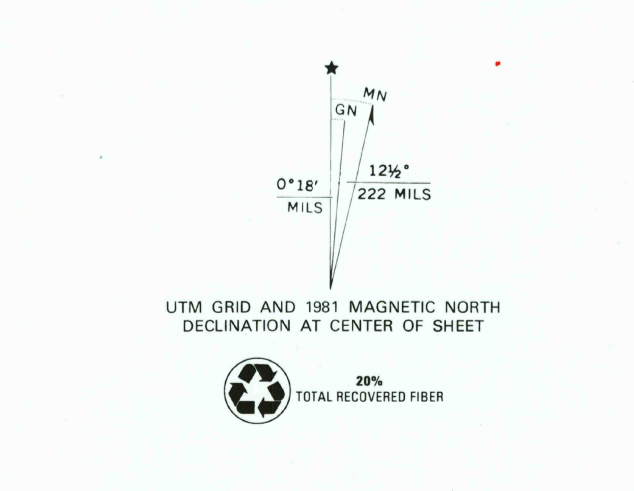


Mapped, edited, and published by the Geological Survey. Control by USGS and NOS/NOAA. Topography by photogrammetric methods from aerial photographs taken 1975. Field checked 1976. Map edited 1981.



CONTOUR INTERVAL 40 FEET SUPPLEMENTARY CONTOUR INTERVAL 20 FEET NATIONAL GEODETIC VERTICAL DATUM OF 1929. ROAD CLASSIFICATION: Primary highway, hard surface; Secondary highway, hard surface; Light-duty road, hard or improved surface; Unimproved road.

RECEIVED DEC 1 2000. REDINGTON, ARIZ. NW/4 REDINGTON 15' QUADRANGLE N3222.5-W11022.5/7.5. 1981. DMA 3948 IV NW-SERIES V898. Includes a 'QUADRANGLE LOCATION' map of Arizona and a barcode.