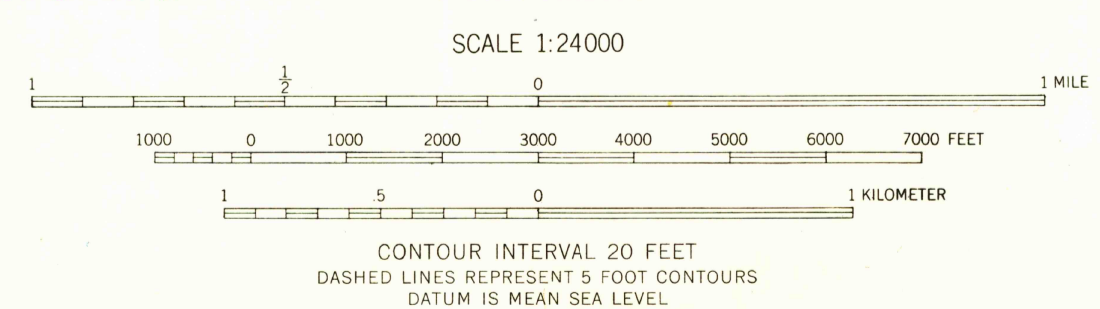
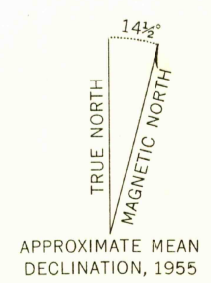


Mapped, edited, and published by the Geological Survey
Control by USGS, USC&GS, and USBR
Topography from aerial photographs by Kelsch plotter
and from plane-table surveys by USBR 1940
Aerial photographs taken 1953. Field check 1955
Polyconic projection. 1927 North American datum
10,000-foot grid based on Arizona coordinate system, west zone
Unchecked elevations are shown in brown



U.S.G.S.
Historical File
Topographic Division



ROAD CLASSIFICATION

Heavy-duty	Light-duty
Medium-duty	Unimproved dirt
U. S. Route	State Route

U.S.G.S.
FILE COPY
TOPOGRAPHIC DIVISION

ROLL, ARIZ.
SW/4 ROLL 15' QUADRANGLE
N 3245—W 11352.5/7.5

U.S.G.S.
FILE COPY
TOPOGRAPHIC DIVISION

U.S.G.S.
FILE COPY
TOPOGRAPHIC DIVISION

(GROWLER)

(GROWLER 5.9 MI.)

(MOHAWK 1:62 500)