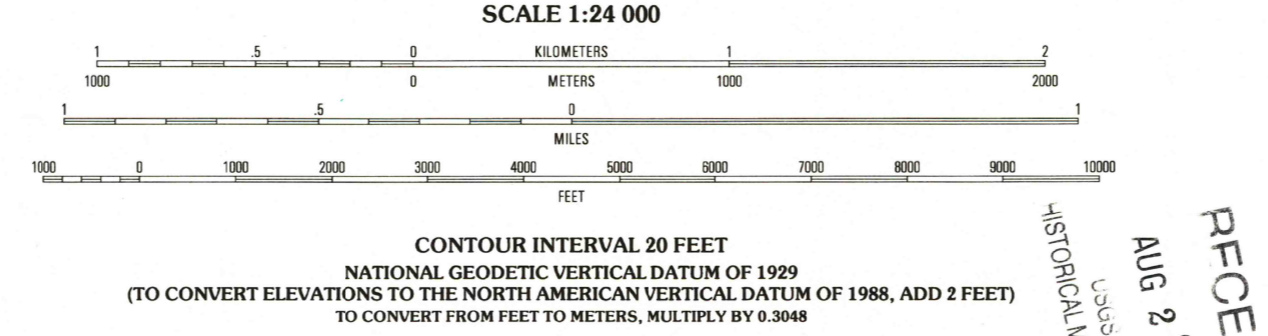
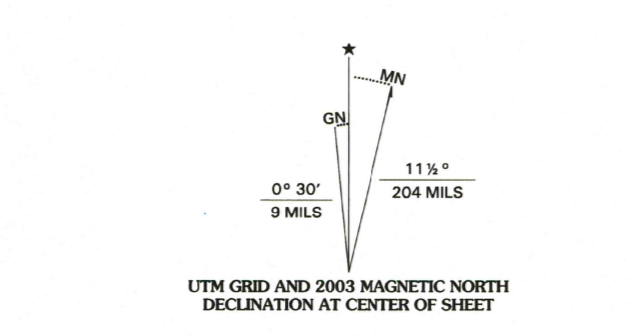


Produced by the United States Geological Survey
Topography compiled 1961. Planimetry derived from imagery taken 1996 and other sources. Public Land Survey System and survey control current as of 1985. Boundaries current as of 2001
North American Datum of 1983 (NAD 83). Projection and 1 000-meter grid: Universal Transverse Mercator, zone 12
2 500-meter ticks: Arizona Coordinate System of 1983 (central zone)
North American Datum of 1927 (NAD 27) is shown by dashed corner ticks. The values of the shift between NAD 83 and NAD 27 for 7.5-minute intersections are obtainable from National Geodetic Survey NADCON software
Where omitted, land lines have not been established
There may be private inholdings within the boundaries of the National or State reservations shown on this map



RECEIVED
AUG 29 2003
HISTORICAL MAP ARCHIVES
USGS WILD

QUADRANGLE LOCATION

1	2	3
4	5	6
7	8	

1 Drew Spring Well
2 Santa Rosa Mountains NW
3 Santa Rosa Mountains NE
4 Santa Rosa
5 Santa Rosa Mountains SE
6 Guri Pui Vio
7 Sant Well
8 Sil Nakya

ROAD CLASSIFICATION

- Primary highway hard surface
- Secondary highway hard surface
- Light-duty road, hard or improved surface
- Unimproved road
- Interstate Route
- U.S. Route
- State Route

ARIZONA

JUN 26 2003

SANTA ROSA MOUNTAINS SW, AZ
1996

NIMA 3648 IV SW-SERIES V898

