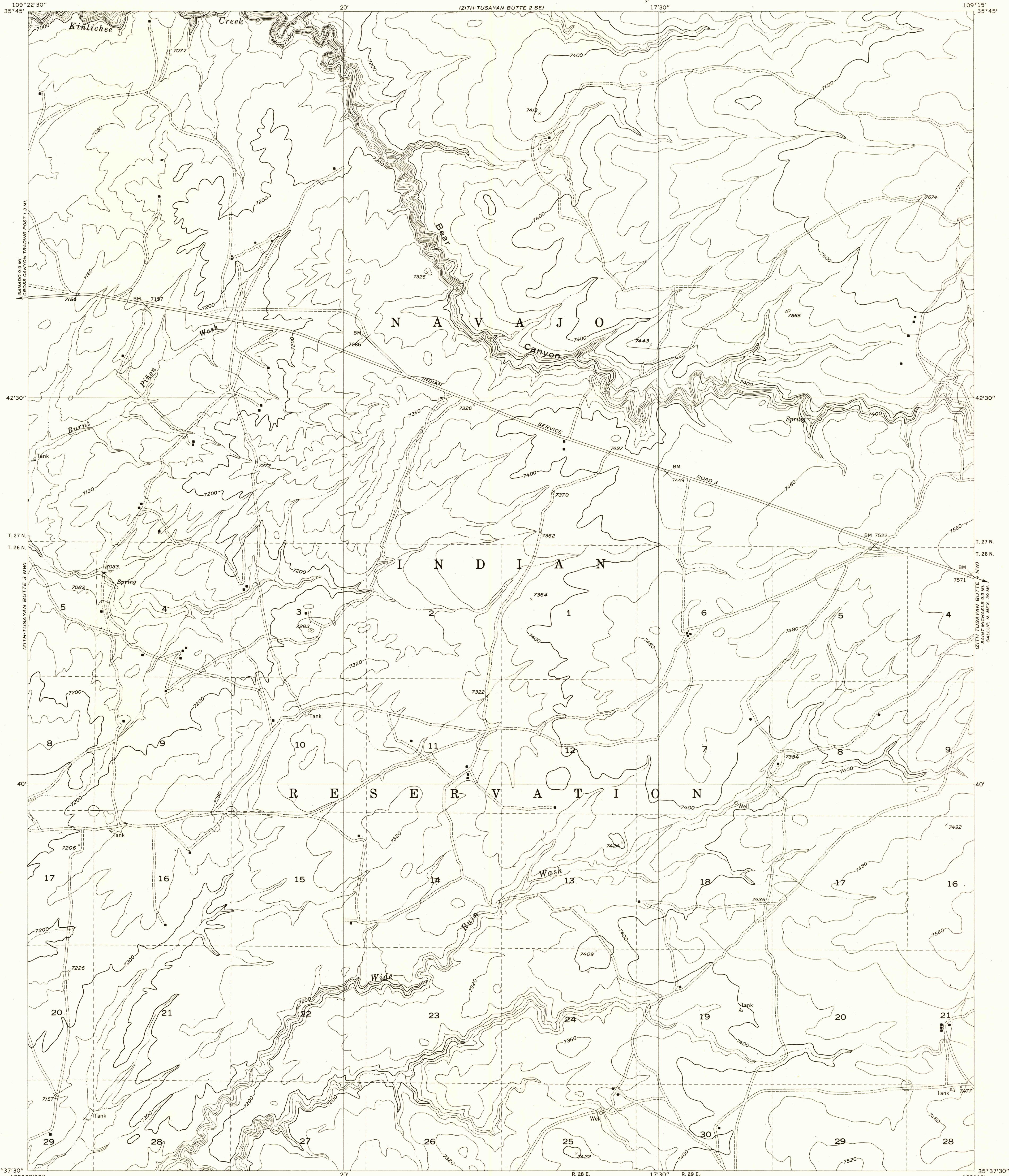
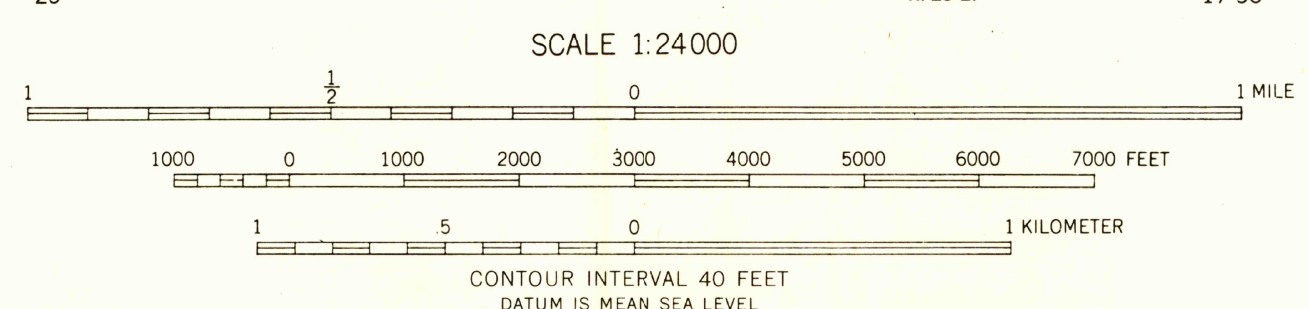
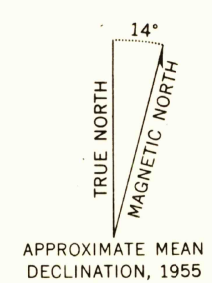


Preliminary edition
Pending completion of 1:62,500 scale
15 minute maps covering this area



Mapped by the Geological Survey 1955
Topography by multiplex methods from
aerial photographs taken 1953
Dashed land lines indicate approximate locations
Symbols and other detail herein
drawn for 1:62 500 scale publication



U.S.G.S.
FILE COPY
TOPOGRAPHIC DIVISION

ROAD CLASSIFICATION
Improved ——— Unimproved - - - - -

ZITH-TUSAYAN BUTTE 3 NE, ARIZ.
N3537.5—W10915.7.5

MAY 23 1957
2060