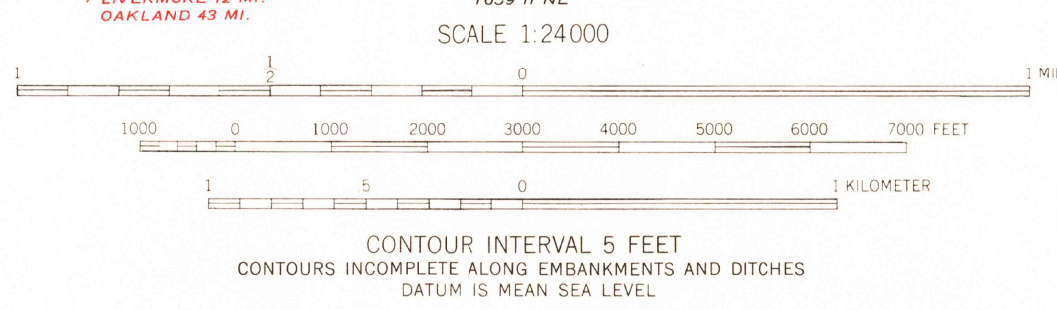
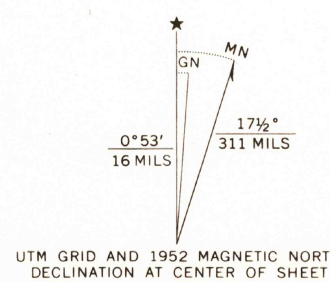


Mapped, edited, and published by the Geological Survey
Control by USGS, USC&GS, and Alameda County
Culture and drainage in part from photo mosaic by USBR
Topography from plane-table surveys by USGS 1911 and 1952
and by Kelsh plotter methods. Aerial photographs taken 1949
Polyconic projection. 1927 North American datum
10,000-foot grid based on California coordinate system, zone 3
The positions of township and range numbers in
unsectioned areas are approximate
Unchecked elevations are shown in brown
1000-meter Universal Transverse Mercator grid ticks,
zone 10, shown in blue



USGS
Historical File
Topographic Division

ROAD CLASSIFICATION
Heavy-duty 4 LANE 6 LANE Light-duty
Medium-duty 4 LANE 6 LANE Unimproved dirt
U. S. Route State Route



U.S.G.S.
FILE COPY
TOPOGRAPHIC DIVISION

BETHANY, CALIF.
SE/4 BYRON 15' QUADRANGLE
N3745-W12130/7.5
1952
AMS 1659 I SE-SERIES V895

4215
JAN 26 1952