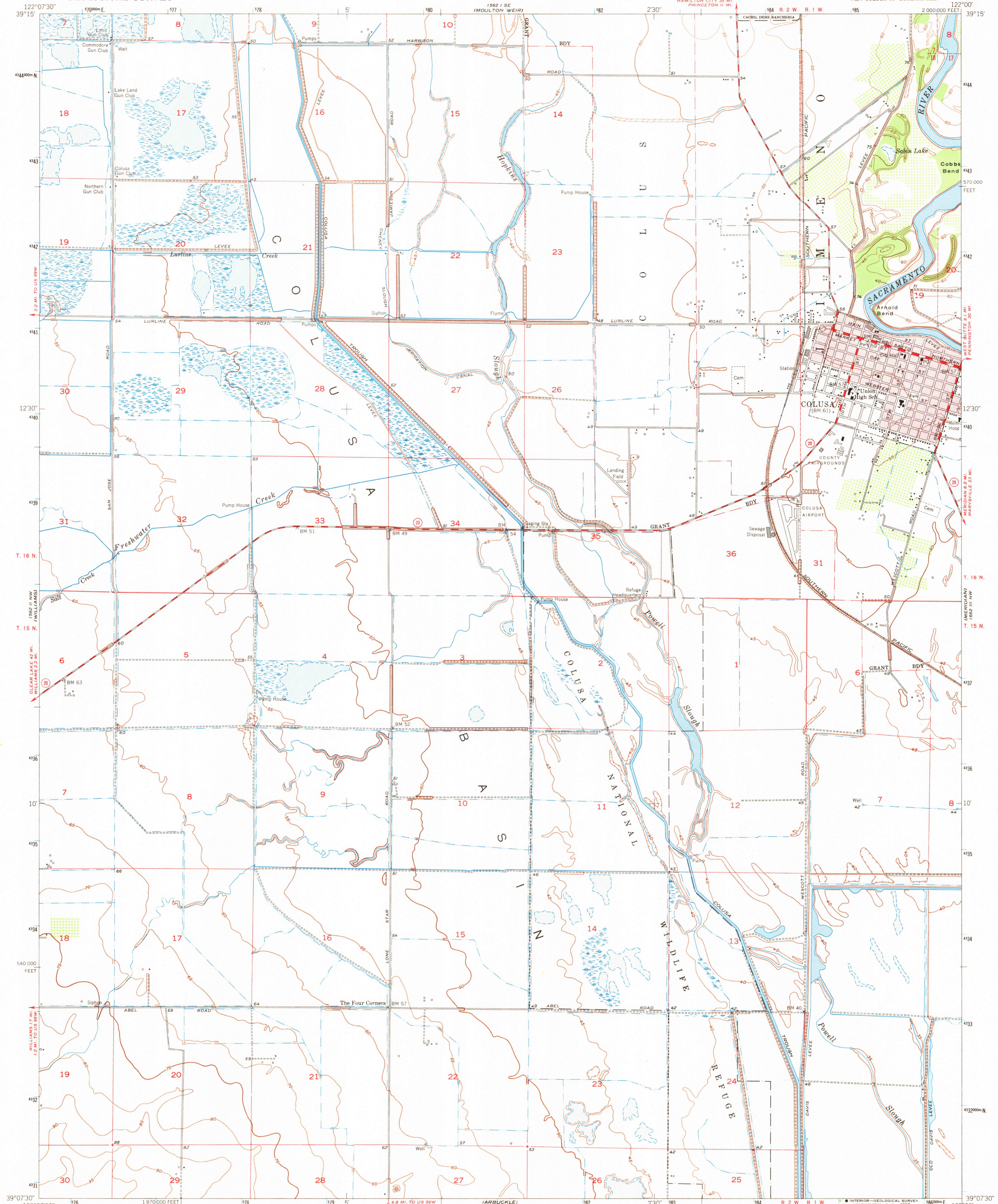
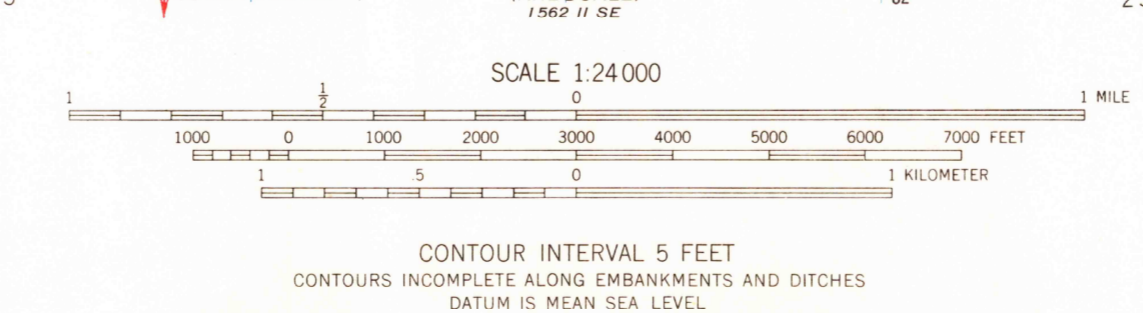
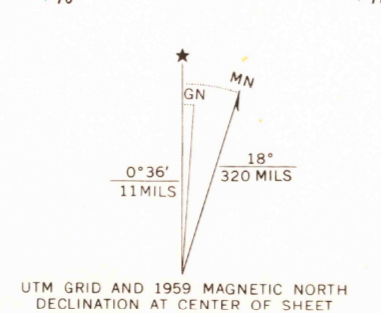


UNITED STATES  
DEPARTMENT OF THE INTERIOR  
GEOLOGICAL SURVEY

COLUSA QUADRANGLE  
CALIFORNIA-COLUSA CO.  
7.5 MINUTE SERIES (TOPOGRAPHIC)  
NE/4 COLUSA 15' QUADRANGLE



Maped, edited, and published by the Geological Survey  
Control by USGS and USC&GS  
Mapped 1904, remapped 1952  
Culture and drainage from photo mosaic by USBR  
Aerial photographs taken 1949  
Topography from plane-table surveys by USGS 1952  
Polyconic projection. 1927 North American datum  
10,000-foot grid based on California coordinate system, zone 2  
Dashed land lines indicate approximate locations  
Red tint indicates area in which only landmark buildings are shown  
1000-meter Universal Transverse Mercator grid ticks,  
zone 10, shown in blue



CONTOUR INTERVAL 5 FEET  
CONTOURS INCOMPLETE ALONG EMBANKMENTS AND DITCHES  
DATUM IS MEAN SEA LEVEL

THIS MAP COMPLIES WITH NATIONAL MAP ACCURACY STANDARDS  
FOR SALE BY U. S. GEOLOGICAL SURVEY, DENVER, COLORADO 80225 OR WASHINGTON, D. C. 20242  
A FOLDER DESCRIBING TOPOGRAPHIC MAPS AND SYMBOLS IS AVAILABLE ON REQUEST

USGS  
Historical File  
Topographic Division

ROAD CLASSIFICATION  
Heavy-duty 4 LANE 6 LANE Light-duty  
Medium-duty 4 LANE 6 LANE Unimproved dirt  
U. S. Route State Route



U.S.G.S. FILE COPY TOPOGRAPHIC DIVISION  
COLUSA, CALIF. NE/4 COLUSA 15' QUADRANGLE N3907.5-W12200/7.5  
1952  
AMS 1562 II NE-SERIES V895

MAR 18 1969  
2740