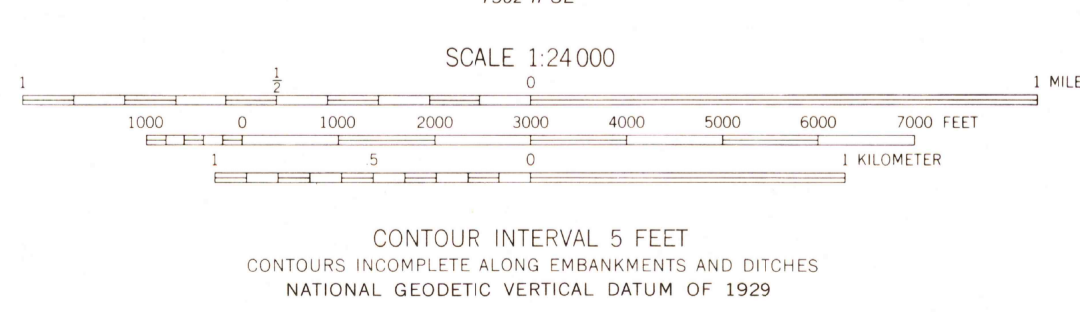
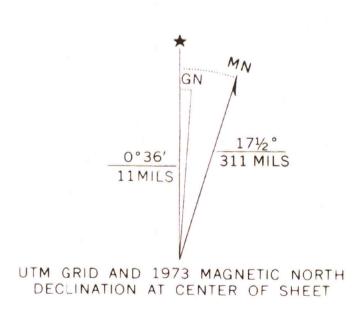


Mapped, edited, and published by the Geological Survey
Control by USGS and USC&GS
Mapped 1904, remapped 1952
Culture and drainage from photo mosaic by USBR
Aerial photographs taken 1949
Topography from plane-table surveys by USGS 1952
Polyconic projection. 1927 North American datum
10,000-foot grid based on California coordinate system, zone 2
Dashed land lines indicate approximate locations
Red tint indicates area in which only landmark buildings are shown
1000-meter Universal Transverse Mercator grid ticks,
zone 10, shown in blue
Purple tint indicates extension of urban areas



ROAD CLASSIFICATION

Heavy-duty	4 LANE 16 LANE	Light-duty
Medium-duty	2 LANE 16 LANE	Unimproved dirt
U.S. Route	State Route	

USGS
Historical File
Topographic Division
COLUSA, CALIF.
NE/4 COLUSA 15' QUADRANGLE
N 3907.5-W 12200.7/5
1952
PHOTOREVISED 1973
AMS 1562 II NE-SERIES V895

THIS MAP COMPLIES WITH NATIONAL MAP ACCURACY STANDARDS
FOR SALE BY U.S. GEOLOGICAL SURVEY, DENVER, COLORADO 80225, OR RESTON, VIRGINIA 22092
A FOLDER DESCRIBING TOPOGRAPHIC MAPS AND SYMBOLS IS AVAILABLE ON REQUEST

Revisions shown in purple and recompilation of
woodland areas compiled in cooperation with
California Department of Water Resources from
aerial photographs taken 1973. This information
not field checked

DEC 19 1974

4800