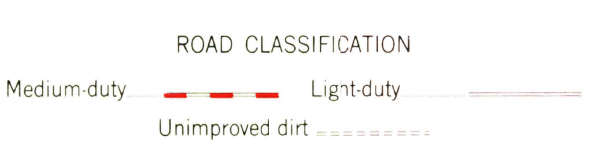
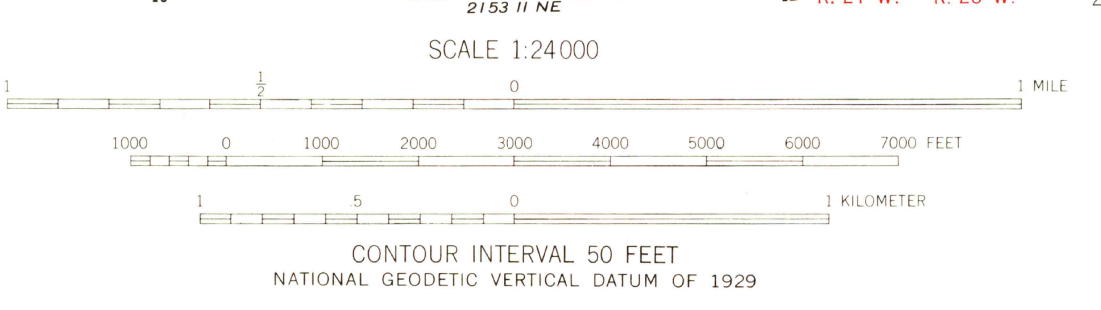
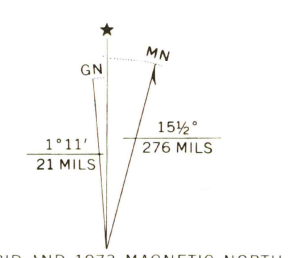


Mapped by the Army Map Service  
Published for civil use by the Geological Survey  
Control by USGS, USACE, and USFS  
Topography from aerial photographs by photogrammetric methods  
Aerial photographs taken 1942. Field check 1943  
Polyconic projection. 1927 North American datum  
10,000-foot grid based on California coordinate system, zone 5  
1000-meter Universal Transverse Mercator grid ticks,  
zone 11, shown in blue  
Dashed land lines indicate approximate locations  
Revisions shown in purple compiled by the Geological Survey from  
aerial photographs taken 1973. This information not field checked



THIS MAP COMPLIES WITH NATIONAL MAP ACCURACY STANDARDS  
FOR SALE BY U. S. GEOLOGICAL SURVEY, DENVER, COLORADO 80225, OR RESTON, VIRGINIA 22092  
A FOLDER DESCRIBING TOPOGRAPHIC MAPS AND SYMBOLS IS AVAILABLE ON REQUEST