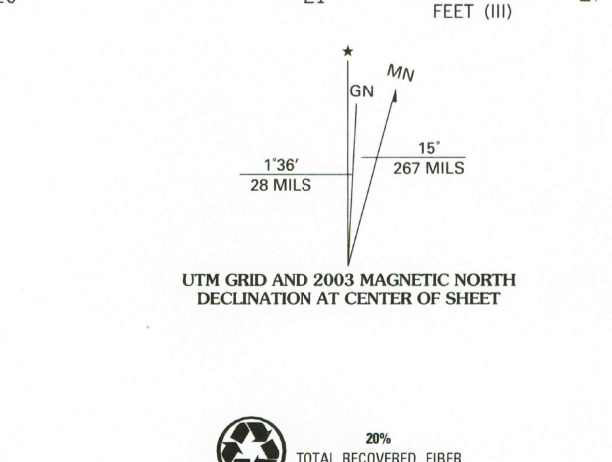


Produced by the United States Geological Survey 1979
Revision by USDA Forest Service 2001
Topography compiled 1973. Planimetry derived from imagery taken 1998 and other sources. Public Land Survey System and survey control current as of 2003. Boundaries current as of 2003
North American Datum of 1927 (NAD 27). Projection: California coordinate system, zone 3 (Lambert conformal conic).
10 000-foot ticks: California coordinate system, zones 3 and 2
Blue 1000-meter Universal Transverse Mercator ticks, zone 10
North American Datum of 1983 (NAD 83) is shown by dashed corner ticks
The values of the shift between NAD 27 and NAD 83 for 7.5-minute intersections are obtainable from National Geodetic Survey NADCON software
Non-National Forest System lands within the National Forest
Inholdings may exist in other National or State reservations
This map is not a legal document. Public lands are subject to change and leasing, and may have access restrictions; check with appropriate offices. Obtain permission before entering private lands



SCALE 1:24 000
CONTOUR INTERVAL 40 FEET
NATIONAL GEODETIC VERTICAL DATUM OF 1929
TO CONVERT FROM FEET TO METERS, MULTIPLY BY 0.3048
THIS MAP COMPLIES WITH NATIONAL MAP ACCURACY STANDARDS
FOR SALE BY U.S. GEOLOGICAL SURVEY, P.O. BOX 25286, DENVER, COLORADO 80225
A FOLDER DESCRIBING TOPOGRAPHIC MAPS AND SYMBOLS IS AVAILABLE ON REQUEST

QUADRANGLE LOCATION

1	2	3	1 Ono Ranch
4	5	5	2 Caldor
6	7	8	3 Peddler Hill
			4 West Point
			5 Garnet Hill
			6 Rail Road Flat
			7 Fort Mountain
			8 Dorrington

ADJOINING 7.5' QUADRANGLES

HIGHWAYS AND ROADS
Interstate 5
U. S. 16
State 6
County 8
National Forest, suitable for passenger cars 105
National Forest, suitable for high clearance vehicles 106
National Forest Trail 304
Primary highway 1
Secondary highway 2
Light-duty road 3
Composition: Unspecified 4
Gravel 5
Dirt 6
Unimproved; 4 wheel drive 7
Trail 8
Gate; Barrier 9

DEVILS NOSE, CA
2001
38120-D4-TF-024
NGA 1960 IV NW-SERIES V895

USGS Library
Reston, VA
Topo Archive

