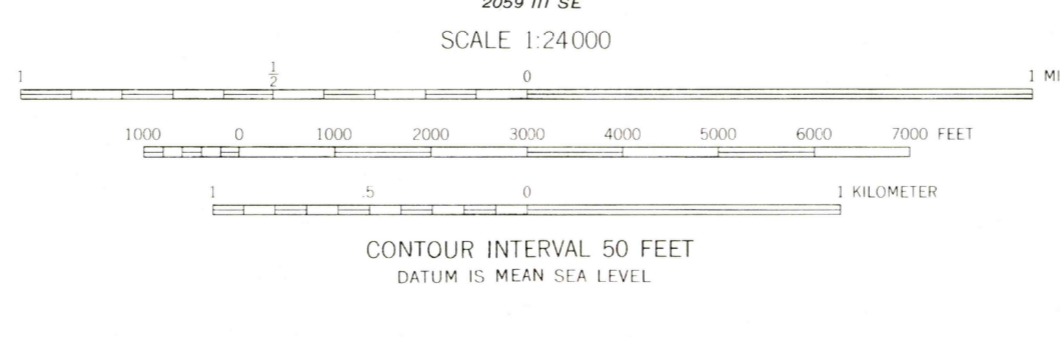
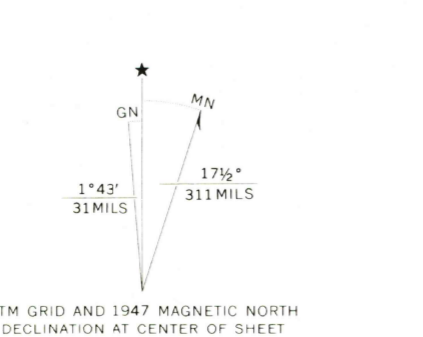




119°52'30" W
37°45' N
4181000 N
4180
4179
4178
T. 2 S.
42°30'
T. 3 S.
4176
4175
4174
4173
40'
4172
420000 FEET
4170
4169
37°37'30" W
119°52'30" W
119°45' W

119°45' W
37°45' N
4181
4180
450000 FEET
4176
4175
4174
4173
40'
4172
4171
4170
4169
37°37'30" W
119°45' W

Maped, edited, and published by the Geological Survey
Control by USGS and USC&GS
Topography from aerial photographs by multiplex methods
Aerial photographs taken 1945 Field check, 1947
Polyconic projection. 1927 North American datum
10,000-foot grid based on California coordinate system,
zone 3
Dashed land lines indicate approximate location
1000-meter Universal Transverse Mercator grid ticks,
zone 11, shown in blue



ROAD CLASSIFICATION

HARD-SURFACE ALL WEATHER ROADS	DRY WEATHER ROADS
Heavy-duty, 4 LANE LANE	Improved dirt
Medium-duty, 4 LANE LANE	Unimproved dirt
Loose-surface, graded, or narrow hard-surface	
U. S. Route	State Route

THIS MAP COMPLIES WITH NATIONAL MAP ACCURACY STANDARDS
FOR SALE BY U. S. GEOLOGICAL SURVEY, DENVER, COLORADO 80225, OR WASHINGTON, D. C. 20242
A FOLDER DESCRIBING TOPOGRAPHIC MAPS AND SYMBOLS IS AVAILABLE ON REQUEST

USGS
HISTORICAL FILE
TOPOGRAPHIC DIVISION

EL PORTAL CALIF.
N37375-W11945/7.5
1947
AMS 2059 III NE-SERIES V895

YOSEMITE 1:62,500
2059 I
1:62,500
RES.
JAN 24 1974