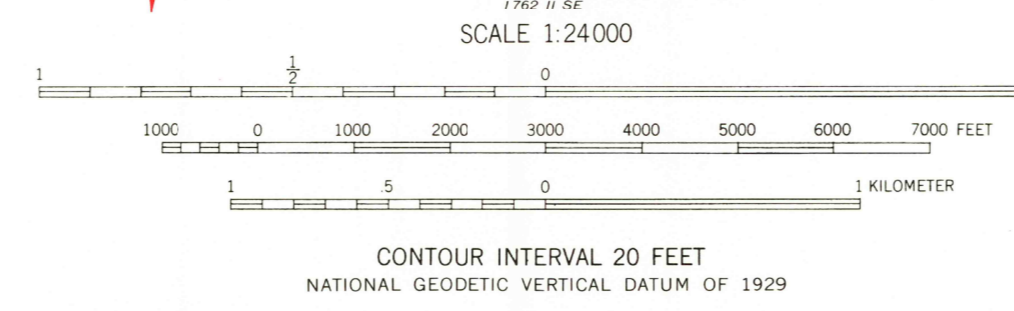


Mapped, edited, and published by the Geological Survey
Control by USGS and USC&GS
Topography from aerial photographs by multiplex methods
Aerial photographs taken 1947. Field check 1949
Polyconic projection. 1927 North American datum
10,000-foot grid based on California coordinate system,
zone 2
Red tint indicates area in which only
landmark buildings are shown
Unchecked elevations are shown in brown
Dashed land lines indicate approximate location
1000-meter Universal Transverse Mercator grid ticks,
zone 10, shown in blue

Revisions shown in purple compiled from aerial photographs
taken 1973. This information not field checked
Purple tint indicates extension of urban areas



ROAD CLASSIFICATION
 HARD-SURFACE ALL WEATHER ROADS DRY WEATHER ROADS
 Heavy-duty 4 LANE IS LANE Improved dirt 2 LANE IS LANE
 Medium-duty 4 LANE IS LANE Unimproved dirt 2 LANE IS LANE
 Loose-surface, graded, or narrow hard-surface 2 LANE IS LANE
 U. S. Route 2 LANE IS LANE State Route 2 LANE IS LANE

UTM GRID AND 1973 MAGNETIC NORTH DECLINATION AT CENTER OF SHEET
 1°13' 22 MILS
 175° 311 MILS

THIS MAP COMPLIES WITH NATIONAL MAP ACCURACY STANDARDS
 FOR SALE BY U. S. GEOLOGICAL SURVEY, DENVER, COLORADO 80225, OR RESTON, VIRGINIA 22092
 A FOLDER DESCRIBING TOPOGRAPHIC MAPS AND SYMBOLS IS AVAILABLE ON REQUEST

GRASS VALLEY, CALIF.
 NE/4 GRASS VALLEY 15' QUADRANGLE
 N3907.5—W12100/7.5

USGS
 Historical File
 Topographic Division
 1949
 PHOTOREVISED 1973
 AMS 1762 II NE—SERIES V895

MAR 23 1977
6358