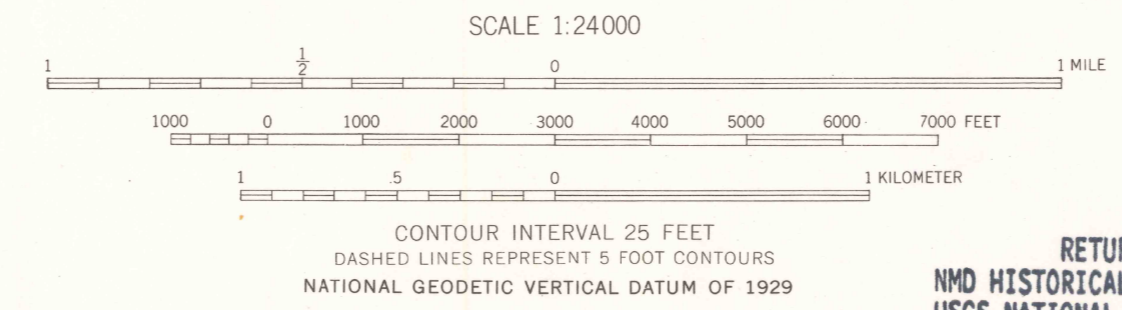
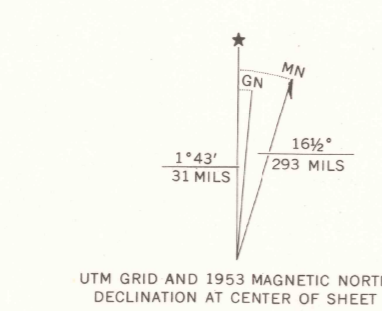


Mapped, edited, and published by the Geological Survey
Control by USGS and USC&GS
Topography by plane-table surveys 1930
Culture and drainage revised from aerial photographs taken 1950
Field check and partial contour revision 1953
Polyconic projection. 1927 North American datum
10,000-foot grid based on California coordinate system, zone 4
1000-meter Universal Transverse Mercator grid, zone 10
To place on the predicted North American Datum 1983
move the projection lines 7 meters north and
88 meters east as shown by dashed corner ticks



RETURN TO:
NMD HISTORICAL MAP ARCHIVES
USGS NATIONAL CENTER, MS-522
RESTON, VA 22092

ROAD CLASSIFICATION

Heavy-duty	Light-duty
Medium-duty	Unimproved dirt
U. S. Route	Slate Route

FOR SALE BY U. S. GEOLOGICAL SURVEY, DENVER, COLORADO 80225, OR RESTON, VIRGINIA 22092
A FOLDER DESCRIBING TOPOGRAPHIC MAPS AND SYMBOLS IS AVAILABLE ON REQUEST

Map photoinspected 1978
No major culture or drainage changes observed

KETTLEMAN PLAIN, CALIF.
N3552.5-W120007.5

1953
PHOTOINSPECTED 1978
DMA 1955 1 NE-SERIES V895

7-16-