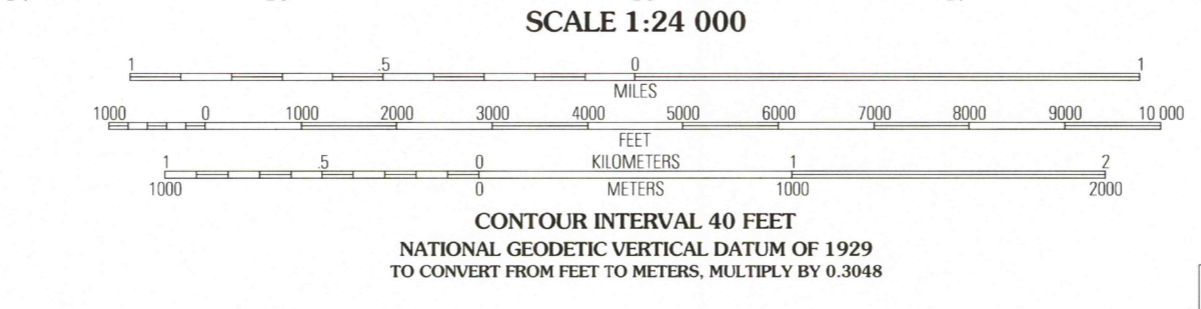
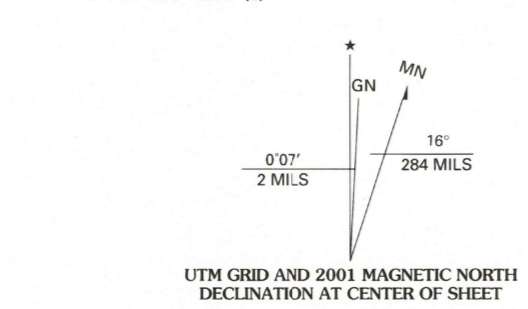


Produced by the United States Geological Survey 1967
Revision by USDA Forest Service 1995
Topography compiled 1965. Planimetry derived from imagery taken 1993
Public Land Survey System and survey control current as of 1996
North American Datum of 1927 (NAD 27). Projection: California
coordinate system, zone 2 (Lambert conformal conic) 10 000-foot
ticks; California coordinate system, zones 2 and 1
Blue 1000-meter Universal Transverse Mercator ticks, zone 10
North American Datum of 1983 (NAD 83) is shown by dashed corner ticks
The values of the shift between NAD 27 and NAD 83 for 7.5-minute
intersections are obtainable from National Geodetic Survey NADCON software
Non-National Forest System lands within the National Forest
Inholdings may exist in other National or State reservations
This map is not a legal land line or ownership document. Public lands are
subject to change and leasing, and may have access restrictions; check
with local offices. Obtain permission before entering private lands



1	2	3	1 Buck Rock
4	5	2 Ball Mountain	3 Ridge Ridge
6	7	4 Mendocino Pass	5 Hall Ridge
		6 Plaskett Ridge	7 Plaskett Meadows
		8 Alder Springs	

HIGHWAYS AND ROADS

- Interstate 5
- U. S. 78
- State 6
- County 6
- National Forest, suitable for passenger cars 10
- National Forest, suitable for high clearance vehicles 10
- National Forest Trail 384

Composition: Unspecified

- Paved [Symbol]
- Gravel [Symbol]
- Dirt [Symbol]
- Unimproved; 4 wheel drive [Symbol]
- Trail [Symbol]
- Gate; Barrier [Symbol]

LOG SPRING, CA
1995
NIMA 1463 IV SE - SERIES V895

RECEIVED
JAN 3 2007
USGS NWU
HISTORICAL MAP ARCHIVES



THIS MAP COMPLIES WITH NATIONAL MAP ACCURACY STANDARDS
FOR SALE BY U.S. GEOLOGICAL SURVEY, P.O. BOX 25286, DENVER, COLORADO 80225
A FOLDER DESCRIBING TOPOGRAPHIC MAPS AND SYMBOLS IS AVAILABLE ON REQUEST

ADJOINING 7.5' QUADRANGLES