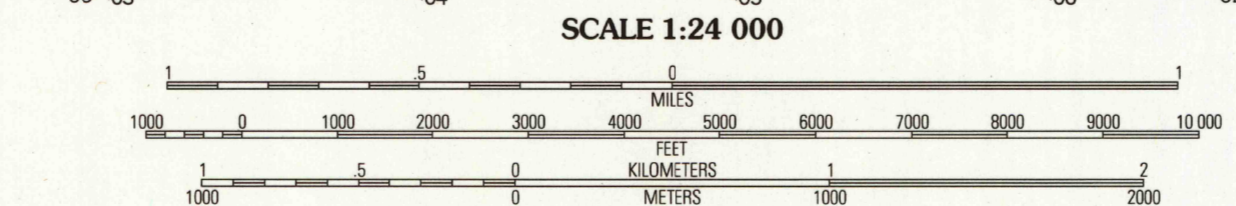
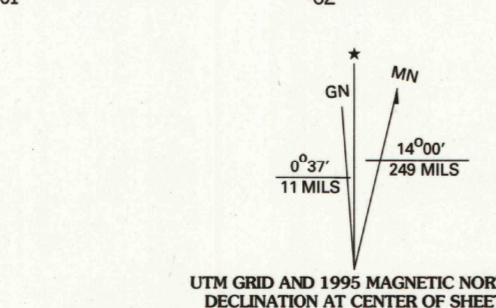
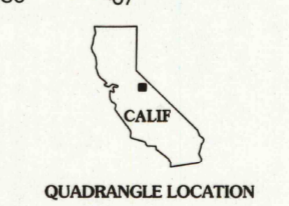


Produced by the U.S. Geological Survey
Revised by the U.S. Forest Service
Areas outside the National Forest System lands may not have been revised
Control by USGS and NOS/NOAA
Compiled from aerial photographs taken 1978. Revised from aerial
photographs taken 1993. Partial field check by U.S. Forest Service 1994
North American Datum of 1927 (NAD 27). Projection and 10 000-foot ticks:
California coordinate system, zone 4 (Lambert conformal conic). Blue
1000-meter Universal Transverse Mercator ticks, zone 11
North American Datum of 1983 (NAD 83) is shown by dashed corner ticks
The values of the shift between NAD 27 and NAD 83 for 7.5-minute
intersections are obtainable from National Geographic Survey NADCON software
Non-National Forest System lands within the National Forest
holdings may exist in other National or State reservations
This map is not a legal land line or ownership document. Public lands are
subject to change and leasing, and may have access restrictions; check
with local offices. Obtain permission before entering private lands
Unsurveyed land net is not official



CONTOUR INTERVAL 20 METERS
SUPPLEMENTARY CONTOUR INTERVAL 2.5 METERS
NATIONAL GEODETIC VERTICAL DATUM OF 1929
TO CONVERT METERS TO FEET MULTIPLY BY 3.2808

THIS MAP COMPLIES WITH NATIONAL MAP ACCURACY STANDARDS
FOR SALE BY U.S. GEOLOGICAL SURVEY
DENVER, COLORADO 80225
A FOLDER DESCRIBING TOPOGRAPHIC MAPS AND SYMBOLS IS AVAILABLE ON REQUEST



| HIGHWAYS AND ROADS | |
|---|---------------------------|
| Interstate | Primary highway |
| U. S. | Secondary highway |
| State | Light-duty road |
| County | Paved |
| National Forest, suitable for passenger cars | Gravel |
| National Forest, suitable for high clearance vehicles | Dirt |
| National Forest Trail | Composition unspecified |
| | Unimproved; 4 wheel drive |
| | Trail |
| | Gate |

| | | | |
|---|---|---|------------------|
| 1 | 2 | 3 | 1 Manzanar |
| 4 | 5 | 6 | 2 Union Wash |
| 7 | 8 | 7 | 3 New York Butte |
| | | 8 | 4 Mt. Langley |
| | | | 5 Dolomite |
| | | | 6 Cirque Peak |
| | | | 7 Bartlett |
| | | | 8 Owens Lake |

ADJOINING 7.5 QUADRANGLES

LONE PINE, CA
36118-E1-TF-024
1994
DMA 2357 II SE - SERIES V895

