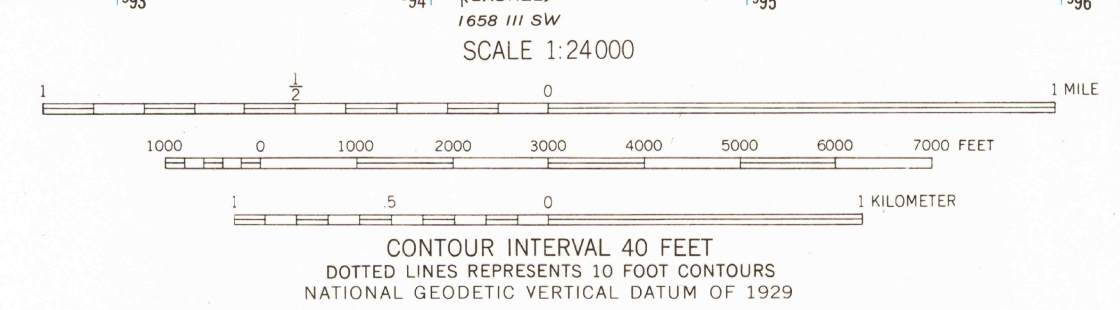


Mapped, edited, and published by the Geological Survey
Control by USGS, USC&GS, and USCE
Topography from aerial photographs by multiple methods
and by plane-table surveys 1953. Aerial photographs taken 1948
Polyconic projection
10,000-foot grid based on California coordinate system, zone 3
1000-meter Universal Transverse Mercator grid ticks,
zone 10, shown in blue. 1927 North American Datum
To place on the predicted North American Datum 1983
move the projection lines 13 meters north and
94 meters east as shown by dashed corner ticks
Red tint indicates areas in which
only landmark buildings are shown
Dashed land lines indicate approximate locations
Unchecked elevations are shown in brown

SCOTT'S VALLEY 5.2 MI.
SANTA CRUZ 12 MI.
Revisions shown in purple and woodland compiled from
aerial photographs taken 1978 and other source data
This information not field checked. Map edited 1980
Purple tint indicates extension of urban areas



ROAD CLASSIFICATION
Heavy-duty ——— Light-duty ———
Medium-duty - - - - - Unimproved dirt - - - - -
State Route ○

USGS
Historical File
Topographic Division

LOS GATOS, CALIF.
N3707.5-W12152.5/7.5
1953
PHOTOREVISED 1980
DMA 1658 III NW-SERIES V895

QUADRANGLE LOCATION

DEC 1 1980
5400

THIS MAP COMPLIES WITH NATIONAL MAP ACCURACY STANDARDS
FOR SALE BY U. S. GEOLOGICAL SURVEY, DENVER, COLORADO 80225, OR RESTON, VIRGINIA 22092
A FOLDER DESCRIBING TOPOGRAPHIC MAPS AND SYMBOLS IS AVAILABLE ON REQUEST