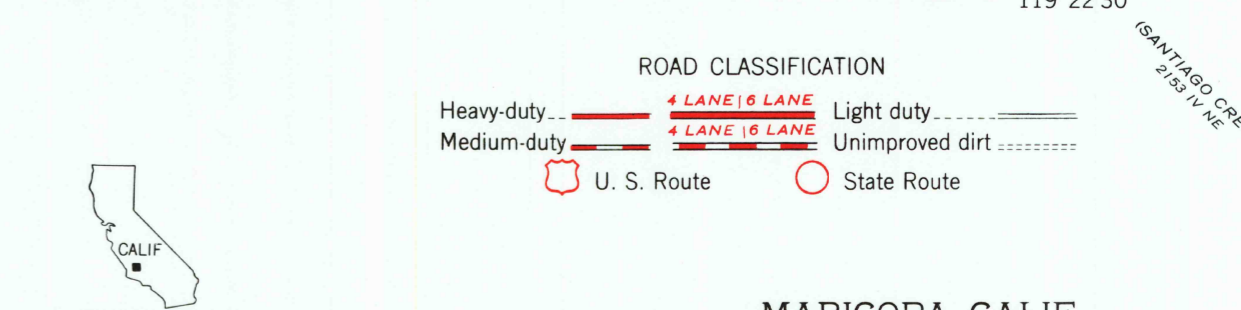
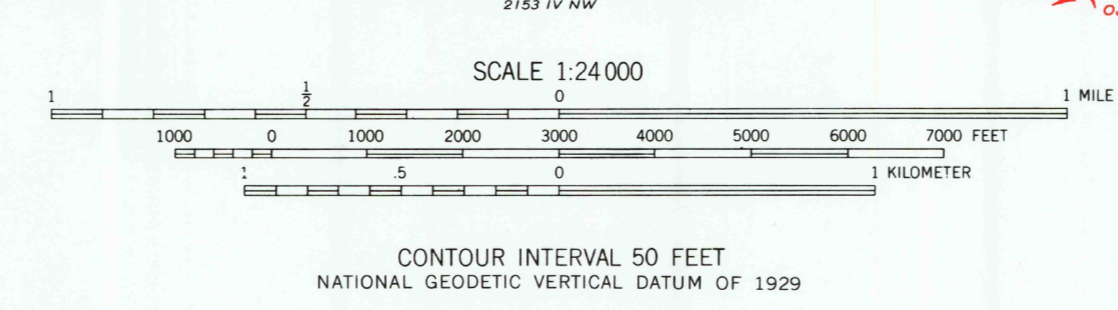
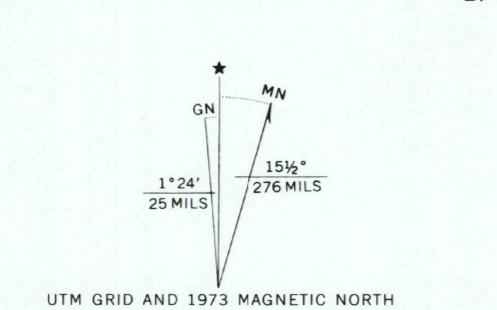


Mapped by the U. S. Forest Service and Army Map Service  
Edited and published by the Geological Survey  
Control by USGS and USC&GS  
Topography by plane-table surveys and by photogrammetric methods from aerial photographs taken 1942  
Culture revision and field check by USGS 1950  
Polyconic projection, 1927 North American datum  
10,000-foot grid based on California coordinate system, zone 5  
Dashed land lines indicate approximate location  
1000-meter Universal Transverse Mercator grid ticks, zone 11, shown in blue



THIS MAP COMPLIES WITH NATIONAL MAP ACCURACY STANDARDS  
FOR SALE BY U. S. GEOLOGICAL SURVEY, DENVER, COLORADO 80225, OR RESTON, VIRGINIA 22092  
A FOLDER DESCRIBING TOPOGRAPHIC MAPS AND SYMBOLS IS AVAILABLE ON REQUEST

MARICOPA, CALIF.  
N 3500-W 11922.5/7.5  
1950  
PHOTO REVISOR 1973  
AMS 2154 III SW-SERIES V895