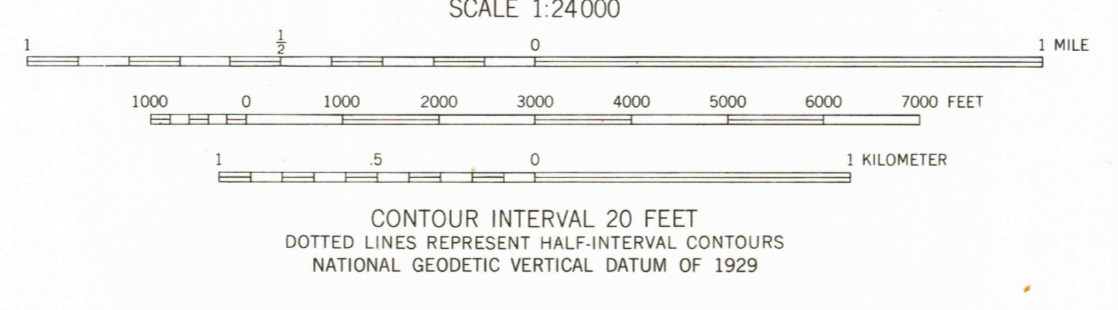
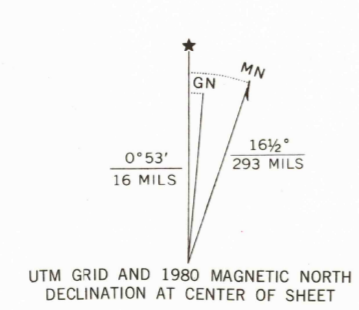




Mapped, edited, and published by the Geological Survey
Control by USGS, NOS/NOAA, and Alameda County
Topography by photogrammetric methods from aerial photographs taken 1949 and 1950 and planetable surveys 1912. Field checked 1953
Polyconic projection. 10,000-foot grid based on California coordinate system, zone 3. 1,000-meter Universal Transverse Mercator grid ticks, zone 10, shown in blue. 1927 North American Datum. To place on the predicted North American Datum 1983 move the projection lines 13 meters north and 93 meters east as shown by dashed corner ticks
Dashed land lines indicate approximate locations
Revisions shown in purple and woodland compiled from aerial photographs taken 1978 and other source data
This information not field checked. Map edited 1980



ROAD CLASSIFICATION

| | |
|------------------|-----------------|
| Heavy-duty | Light-duty |
| Medium-duty | Unimproved dirt |
| Interstate Route | U.S. Route |

MIDWAY, CALIF.
NE/4 ALTAMONT 15' QUADRANGLE
N3737.5—W12130.7.5
1953
PHOTOREVISED 1980
DMA 1659 II NE—SERIES V895

THIS MAP COMPLIES WITH NATIONAL MAP ACCURACY STANDARDS
FOR SALE BY U. S. GEOLOGICAL SURVEY, DENVER, COLORADO 80225, OR RESTON, VIRGINIA 22092
A FOLDER DESCRIBING TOPOGRAPHIC MAPS AND SYMBOLS IS AVAILABLE ON REQUEST

USGS
Historical File
National Mapping Div.

MAR 27 1981

3050