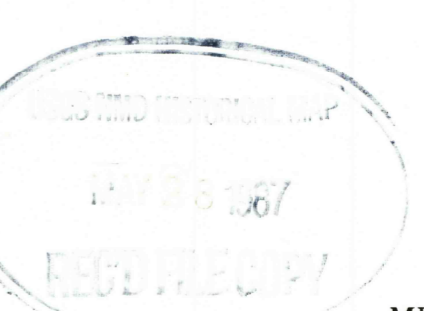
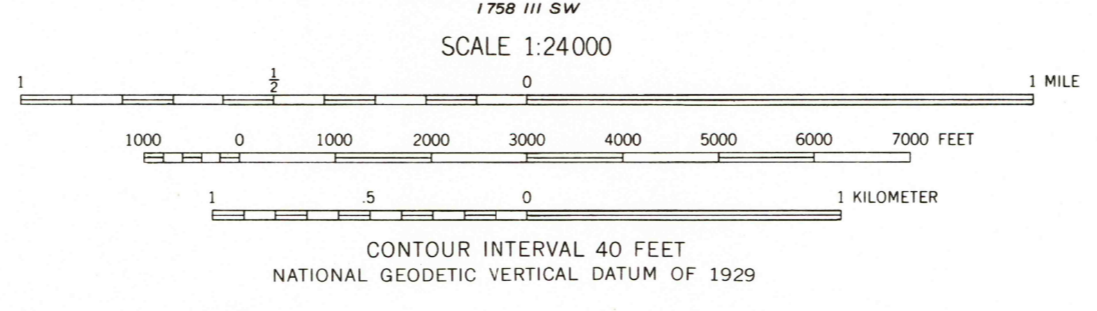
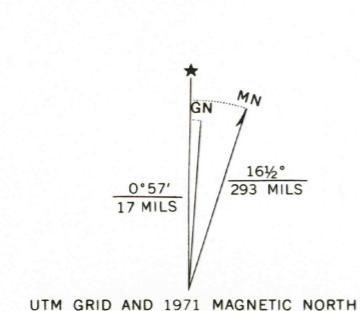




Mapped, edited, and published by the Geological Survey
Control by USGS and USC&GS
Topography from aerial photographs by multiplex methods
Aerial photographs taken 1953. Field check 1955
Polyconic projection. 1927 North American datum
10,000-foot grid based on California coordinate system, zone 3
Dashed land lines indicate approximate locations
1000-meter Universal Transverse Mercator grid ticks,
zone 10, shown in blue
To place on the predicted North American Datum 1983,
move the projection lines 12 meters north and
93 meters east as shown by dashed corner ticks
There may be private inholdings within the boundaries of
the National or State reservations shown on this map



ROAD CLASSIFICATION
Unimproved dirt -----
MISSISSIPPI CREEK, CALIF.
37121-B4-TF-024
PHOTOINSPECTED 1978
1955
PHOTOREVISED 1971
DMA 1758 III NW-SERIES V895

THIS MAP COMPLIES WITH NATIONAL MAP ACCURACY STANDARDS
FOR SALE BY U. S. GEOLOGICAL SURVEY, DENVER, COLORADO 80225, OR RESTON, VIRGINIA 22092
A FOLDER DESCRIBING TOPOGRAPHIC MAPS AND SYMBOLS IS AVAILABLE ON REQUEST

Revisions shown in purple compiled from aerial photographs
taken 1971. This information not field checked.

Map photoinspected 1978
No major culture or drainage changes observed