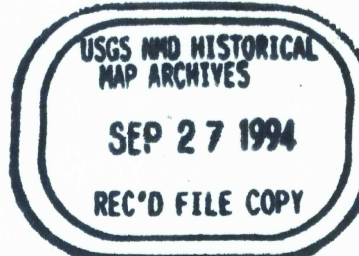
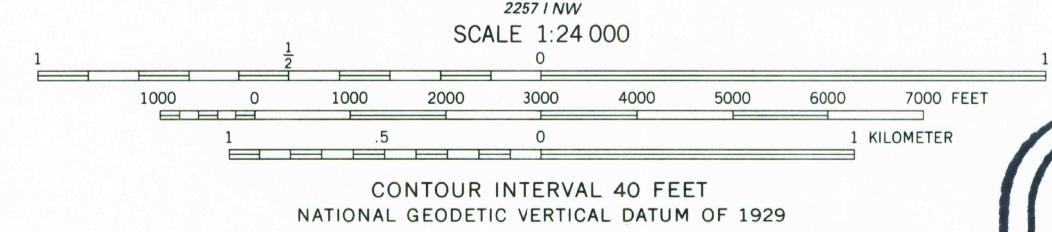
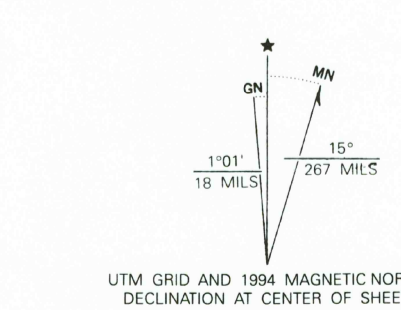


Produced by the United States Geological Survey
Control by USGS and NOS/NOAA
Compiled from aerial photographs taken 1976. Field checked 1973
Map edited 1983
North American Datum of 1927 (NAD 27). Projection and
10000-foot ticks: California Coordinate System, zone 4
(Lambert Conformal Conic)
Blue 1000-meter Universal Transverse Mercator ticks, zone 11
North American Datum of 1983 (NAD 83) is shown by dashed
corner ticks. The values of the shift between NAD 27 and NAD 83
for 7.5-minute intersections are obtainable from National Geodetic
Survey NADCON software
There may be private inholdings within the boundaries of the
National or State reservations shown on this map
Where omitted, land lines have not been established



ROAD CLASSIFICATION

Primary highway, hard surface	Light-duty road, hard or improved surface
Secondary highway, hard surface	Unimproved road
Interstate Route	U. S. Route
	State Route

THIS MAP COMPLIES WITH NATIONAL MAP ACCURACY STANDARDS
FOR SALE BY U. S. GEOLOGICAL SURVEY, DENVER, COLORADO 80225, OR RESTON, VIRGINIA 22092
A FOLDER DESCRIBING TOPOGRAPHIC MAPS AND SYMBOLS IS AVAILABLE ON REQUEST

MT. GODDARD, CA
37118-A6-TF-024
1983
MINOR REVISION 1994
DMA 2258 II SW-SERIES V895