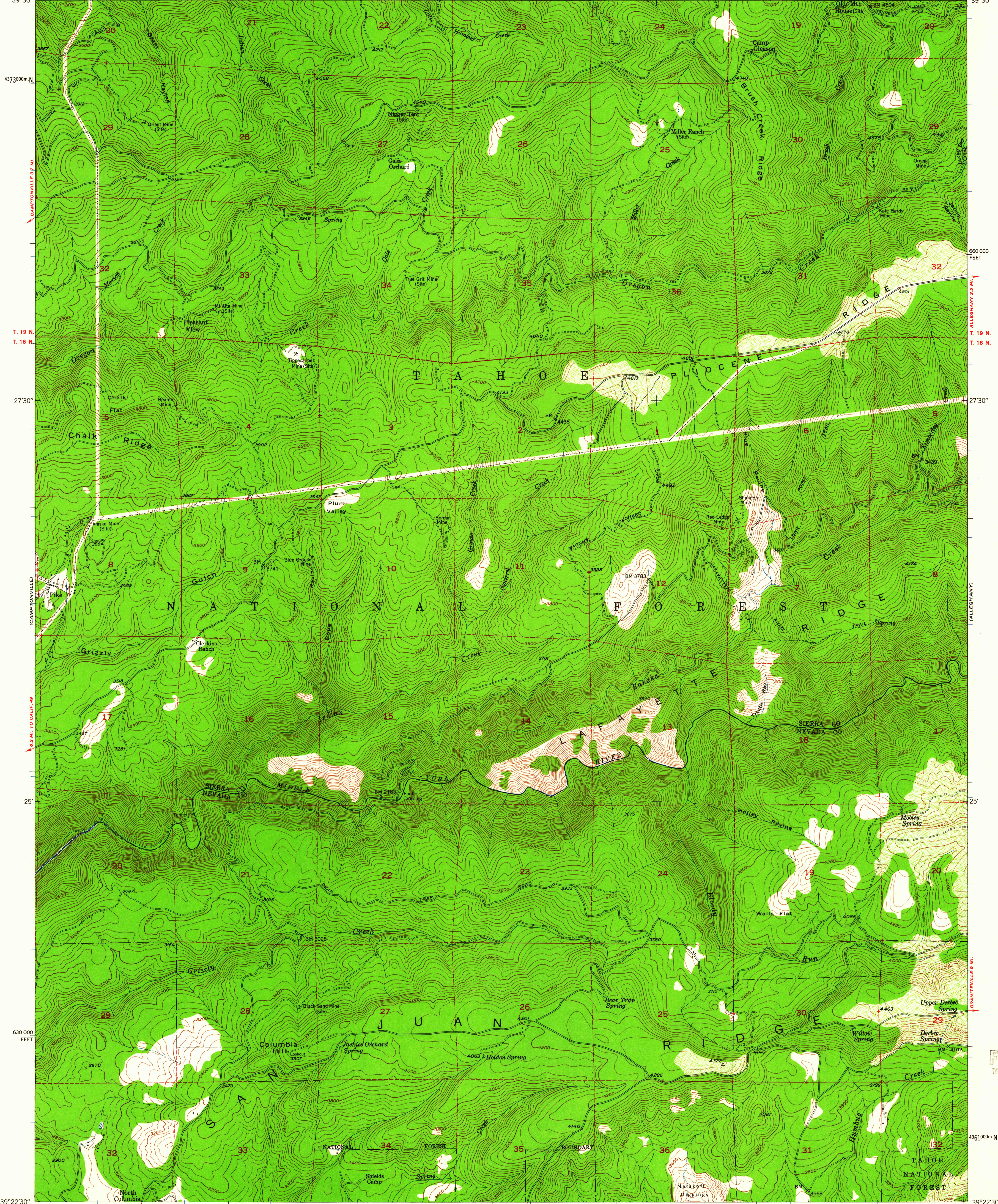
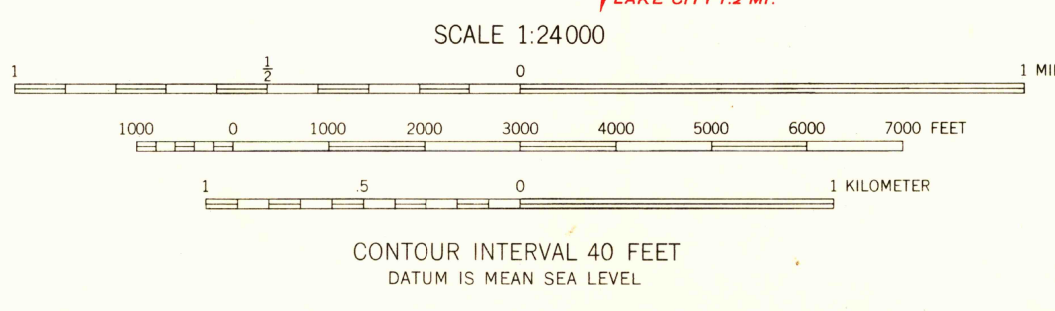
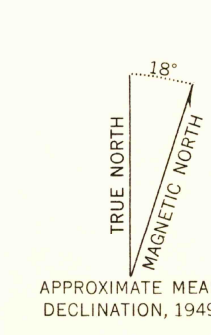


121°00' 39°30' 4373000m N 57°30' (GOODYEAR'S BAR) 55' R. 9 E. 231000 FEET | R. 10 E. 120°52'30" 39°30'



39°22'30" 121°00' 2 230 000 FEET 57°30' (NORTH BLOOMFIELD) LAKE CITY 1.2 MI. 55' R. 10 E. 683600 FEET | R. 10 E. 120°52'30" 39°22'30" 683000m N

Mapped, edited, and published by the Geological Survey
Control by USGS
Topography from aerial photographs by multiplex methods
Aerial photographs taken 1946. Field check 1949
Polyconic projection 1927 North American datum
10,000-foot grid based on California coordinate system,
zone 2
Dashed land lines indicate approximate location
1000-meter Universal Transverse Mercator grid ticks,
zone 10, shown in blue



ROAD CLASSIFICATION
Light-duty ——— Unimproved dirt - - - - -
U.S.G.S. FILE COPY TOPOGRAPHIC DIVISION
PIKE, CALIF. N3922.5-W12052.5/7.5 1949

FOR SALE BY U. S. GEOLOGICAL SURVEY, DENVER 25, COLORADO OR WASHINGTON 25, D. C.
A FOLDER DESCRIBING TOPOGRAPHIC MAPS AND SYMBOLS IS AVAILABLE ON REQUEST

U.S.G.S. FILE COPY TOPOGRAPHIC DIVISION

JUL 27 1960
3595