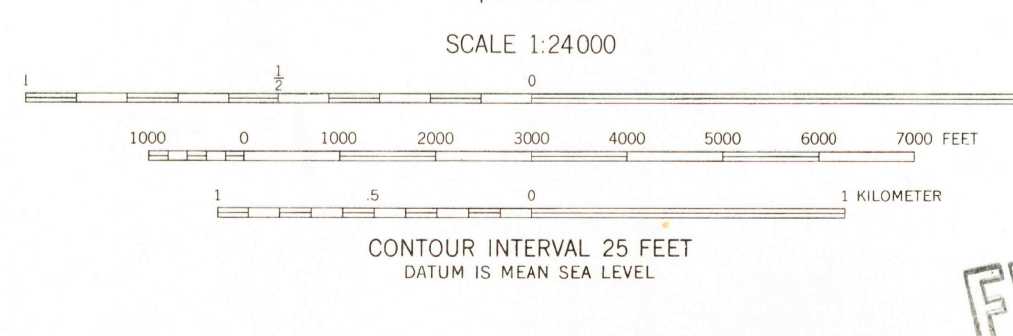
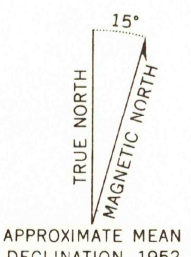


Mapped, edited, and published by the Geological Survey
Control by USGS, USC&GS, and USCE
Topography by plane-table surveys 1939
Culture and drainage revised from aerial photographs
taken 1950. Contour revision and field check 1952
Polyconic projection. 1927 North American datum
10,000-foot grid based on California coordinate system, zone 6
Dashed land lines indicate approximate locations
1000-meter Universal Transverse Mercator grid ticks,
zone 11, shown in blue



U.S.G.S.
FILE COPY
TOPOGRAPHIC DIVISION

ROAD CLASSIFICATION	
Heavy-duty	4 LANE 6 LANE
Medium-duty	2 LANE 6 LANE
U. S. Route	State Route

POWAY VALLEY, CALIF.
NE/4 LA JOLLA 15' QUADRANGLE
N3252.5-W11700/7.5

FOR SALE BY U. S. GEOLOGICAL SURVEY, DENVER 25, COLORADO OR WASHINGTON 25, D. C.
A FOLDER DESCRIBING TOPOGRAPHIC MAPS AND SYMBOLS IS AVAILABLE ON REQUEST

1952

NAME CHANGED TO POWAY

2140
DEC 27 1967
70