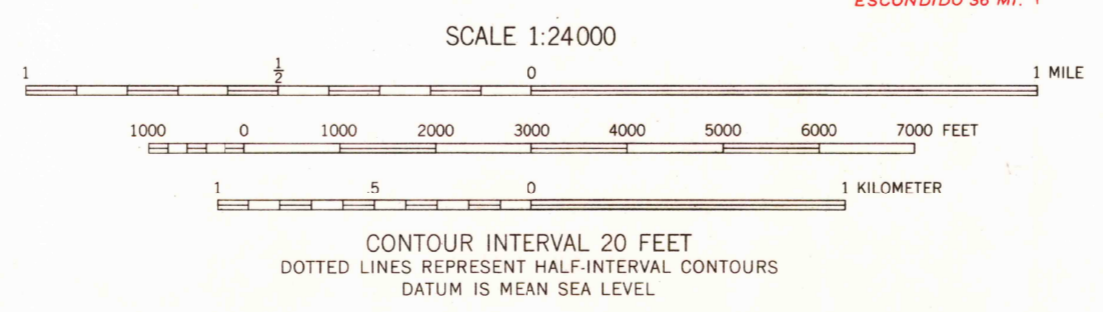
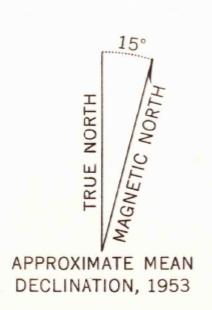


Mapped, edited, and published by the Geological Survey Control by USGS and USC&GS  
Topography from aerial photographs by multiplex methods and by plane-table surveys 1953. Aerial photographs taken 1951  
Polyconic projection. 1927 North American datum 10,000-foot grid based on California coordinate system, zone 6  
Unchecked elevations are shown in brown  
1000-meter Universal Transverse Mercator grid ticks, zone 11, shown in blue



USGS  
Historical File  
Topographic Division

ROAD CLASSIFICATION

Heavy-duty	Light-duty
Medium-duty	Unimproved dirt
U.S. Route	State Route



THIS MAP COMPLIES WITH NATIONAL MAP ACCURACY STANDARDS  
FOR SALE BY U. S. GEOLOGICAL SURVEY, DENVER 25, COLORADO OR WASHINGTON 25, D. C.  
A FOLDER DESCRIBING TOPOGRAPHIC MAPS AND SYMBOLS IS AVAILABLE ON REQUEST

ROMOLAND, CALIF.  
NW/4 MURRIETA 15' QUADRANGLE  
N3337.5-W11707.5/7.5  
1953

AUG 17 1952

3550