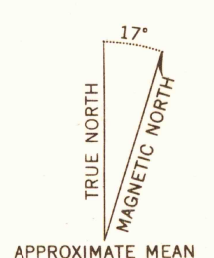
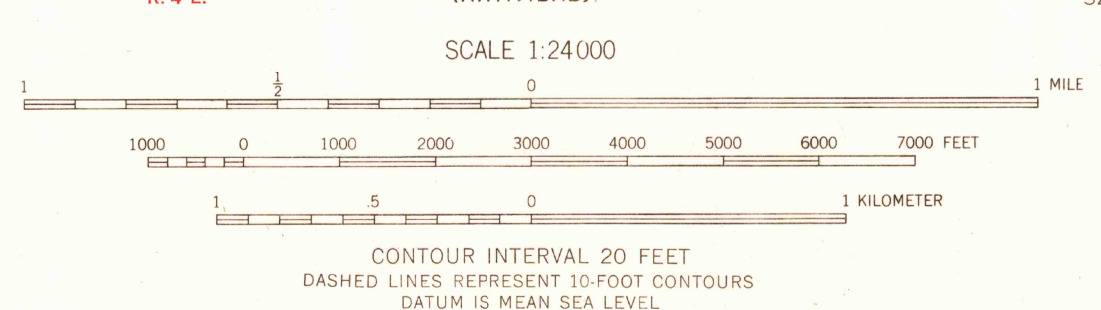




Mapped, edited, and published by the Geological Survey  
Control by USGS and USC&GS  
Topography from aerial photographs by multiplex methods  
and by planetable surveys 1955. Aerial photographs taken 1952  
Polyconic projection. 1927 North American datum  
10,000-foot grid based on California coordinate system, zone 4  
Dashed land lines indicate approximate locations



APPROXIMATE MEAN  
DECLINATION, 1955



THIS MAP COMPLIES WITH NATIONAL MAP ACCURACY STANDARDS  
FOR SALE BY U. S. GEOLOGICAL SURVEY, FEDERAL CENTER, DENVER, COLORADO OR WASHINGTON 25, D. C.  
A FOLDER DESCRIBING TOPOGRAPHIC MAPS AND SYMBOLS IS AVAILABLE ON REQUEST

USGS  
Historical File  
Topographic Division

ROAD CLASSIFICATION	
Heavy-duty	Light-duty
Medium-duty	Unimproved dirt
U. S. Route	State Route



U.S.G.S.  
FILE COPY  
TOPOGRAPHIC DIVISION

SAN JUAN BAUTISTA, CALIF.  
SE/4 SAN JUAN BAUTISTA 15' QUADRANGLE  
N 3645-W 12130/7.5

1955