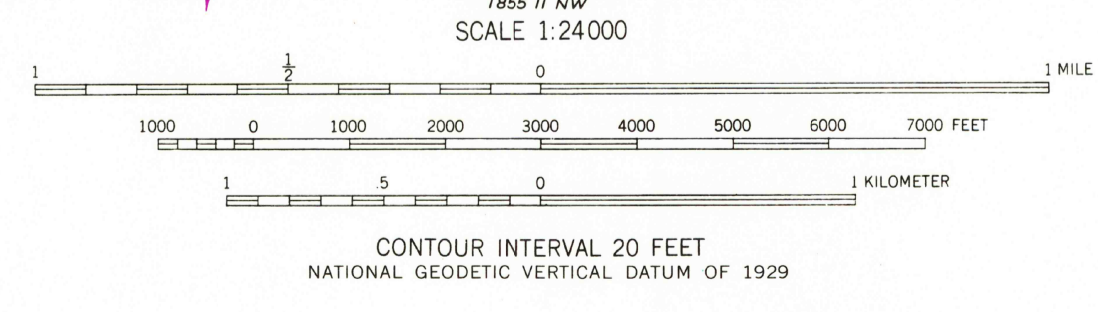
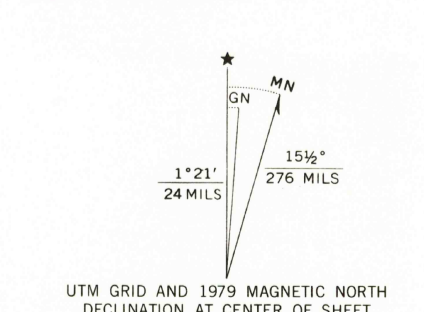




Map by the Army Map Service
Published for civil use by the Geological Survey
Control by USGS, NOS/NOAA, and USCE
Topography from aerial photographs by multiplex methods
Aerial photographs taken 1947. Field check 1948
Polyconic projection. 1927 North American datum
10,000-foot grids based on California coordinate system,
zones 4 and 5
1000-meter Universal Transverse Mercator grid ticks,
zone 10, shown in blue
There may be private inholdings within the boundaries of
the National or State reservations shown on this map
Red tint indicates areas in which only
landmark buildings are shown



ROAD CLASSIFICATION

Heavy-duty	4 LANE 6 LANE	Light-duty
Medium-duty	3 LANE 6 LANE	Unimproved dirt

U.S. Route (square symbol)
State Route (circle symbol)

QUADRANGLE LOCATION

THIS MAP COMPLIES WITH NATIONAL MAP ACCURACY STANDARDS
FOR SALE BY U.S. GEOLOGICAL SURVEY, DENVER, COLORADO 80225, OR RESTON, VIRGINIA 22092
A FOLDER DESCRIBING TOPOGRAPHIC MAPS AND SYMBOLS IS AVAILABLE ON REQUEST

Revisions shown in purple and woodland compiled by the Geological Survey from aerial photographs taken 1976 and other source data
This information not field checked. Map edited 1979

SAN MIGUEL CALIF.
SW/4 SAN MIGUEL 15' QUADRANGLE
N3545-W12037.5/7.5
1948
PHOTOREVISED 1979
AMS 1855 I SW-SERIES V895

USGS WIND HISTORICAL MAP
OCT 16 1986
REC'D FILE COPY