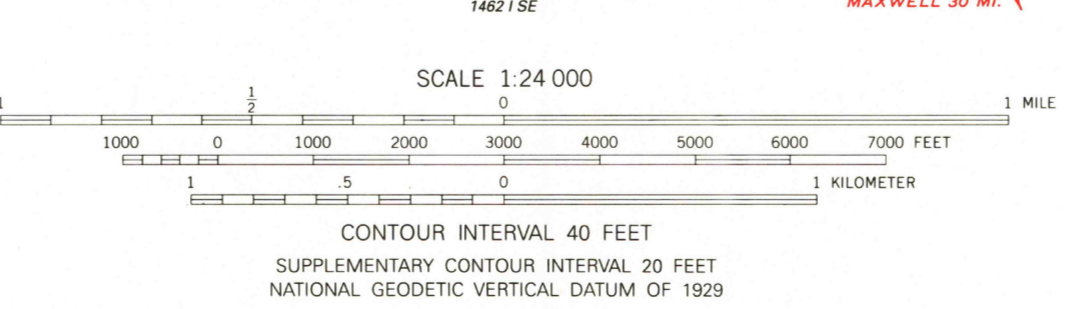




Produced by the United States Geological Survey in cooperation with California Department of Water Resources  
Control by USGS and NOS/NOAA  
Compiled from aerial photographs taken 1965. Field checked 1968  
North American Datum of 1927 (NAD 27). Projection and 1000-foot ticks, California Coordinate System, zone 2 (Lambert Conformal Conic)  
Blue 1000-meter Universal Transverse Mercator ticks, zone 10  
North American Datum of 1983 (NAD 83) is shown by dashed corner ticks. The values of the shift between NAD 27 and NAD 83 for 7.5-minute intersections are obtainable from National Geodetic Survey NADCON software  
There may be private inholdings within the boundaries of the National or State reservations shown on this map

Photinspected from 1991 source; no major culture or drainage changes observed. Boundaries and names verified 1994



ROAD CLASSIFICATION

Primary highway, hard surface	Light-duty road, hard or improved surface
Secondary highway, hard surface	Unimproved road
Interstate Route	U. S. Route
	State Route

QUADRANGLE LOCATION

USGS HISTORICAL MAP ARCHIVES  
DEC 09 1994  
REC'D FILE COPY

STONYFORD, CA  
39122-D5-TF-024  
1968  
MINOR REVISION 1994  
DMA 1462 I NE-SERIES V895