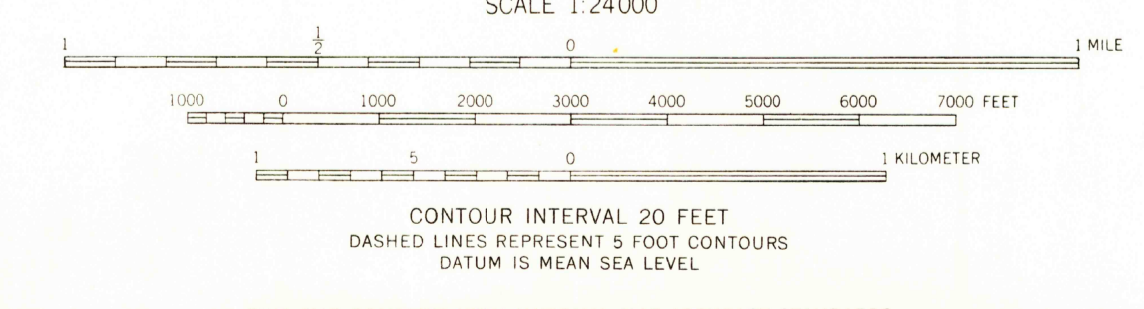
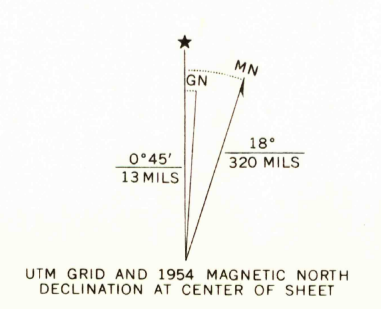


Mapped, edited, and published by the Geological Survey  
Control by USGS and USC&GS  
Culture and drainage in part from photo mosaic by USBR  
Topography by Kesh plotter and by planetable surveys 1954  
Aerial photographs taken 1949. Field check 1954  
Polyconic projection, 1927 North American datum  
10,000-foot grid based on California coordinate system, zone 2  
Dashed land lines indicate approximate locations  
1000-meter Universal Transverse Mercator grid ticks,  
zone 10, shown in blue



USGS  
Historical File  
Topographic Division

ROAD CLASSIFICATION	
Heavy-duty	Light-duty
Medium-duty	Unimproved dirt
U. S. Route	State Route



U.S.G.S. SUTTER BUTTES, CALIF.  
N3907.5—W12145/7.5  
1954  
AMS 1662 III NE—SERIES V895

THIS MAP COMPLIES WITH NATIONAL MAP ACCURACY STANDARDS  
FOR SALE BY U.S. GEOLOGICAL SURVEY, DENVER, COLORADO 80225 OR WASHINGTON, D. C. 20242  
A FOLDER DESCRIBING TOPOGRAPHIC MAPS AND SYMBOLS IS AVAILABLE ON REQUEST

3135