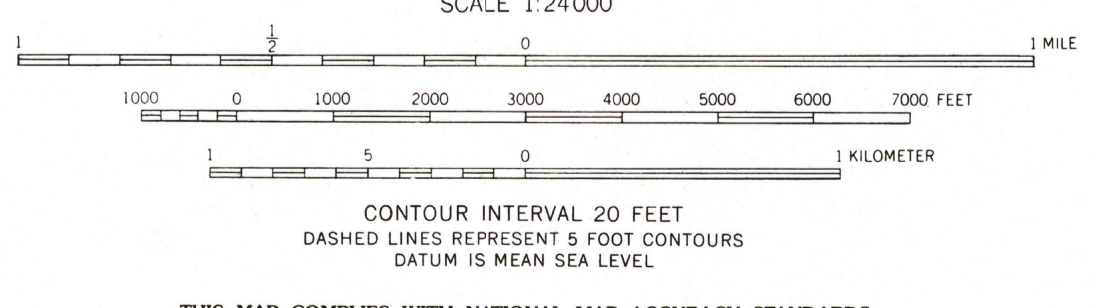
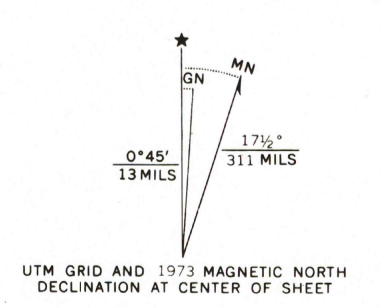


Maped, edited, and published by the Geological Survey Control by USGS and USC&GS Culture and drainage in part from photo mosaic by USBR Topography by Kelsch plotter and by planetable surveys 1954 Aerial photographs taken 1949. Field check 1954 Polyconic projection. 1927 North American datum 10,000-foot grid based on California coordinate system, zone 2 Dashed land lines indicate approximate locations 1000-meter Universal Transverse Mercator grid ticks, zone 10, shown in blue



ROAD CLASSIFICATION table with symbols for Heavy-duty, Medium-duty, Light-duty, and Unimproved dirt roads, as well as U.S. Route and State Route markers.

THIS MAP COMPLIES WITH NATIONAL MAP ACCURACY STANDARDS FOR SALE BY U.S. GEOLOGICAL SURVEY, P.O. BOX 25286, DENVER, COLORADO 80225 A FOLDER DESCRIBING TOPOGRAPHIC MAPS AND SYMBOLS IS AVAILABLE ON REQUEST

QUADRANGLE LOCATION Revisions shown in purple and recompilation of woodland areas compiled in cooperation with California Department of Water Resources from aerial photographs taken 1973. This information not field checked

SUTTER BUTTES, CALIFORNIA NE/4 SUTTER BUTTES 15' QUADRANGLE N 3907.5—W 12145.7/5 1954 PHOTOREVISED 1973 AMS 1662 III NE—SERIES V895

RECEIVED JAN 31 1999 USGS NND HISTORICAL MAP ARCHIVES

