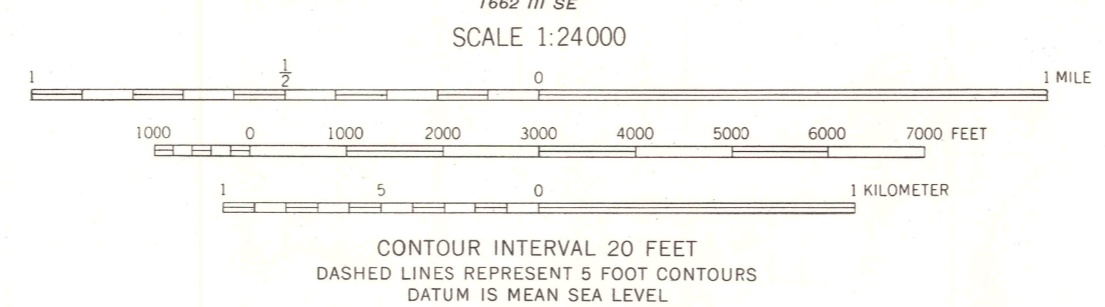
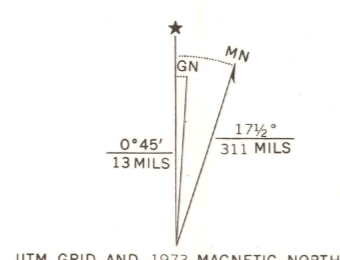


Mapped, edited, and published by the Geological Survey  
Control by USGS and USC&GS  
Culture and drainage in part from photo mosaic by USBR  
Topography by Kelish plotter and by planetable surveys 1954  
Aerial photographs taken 1949. Field check 1954  
Polyconic projection. 1927 North American datum  
10,000-foot grid based on California coordinate system, zone 2  
Dashed land lines indicate approximate locations  
1000-meter Universal Transverse Mercator grid ticks,  
zone 10, shown in blue



CONTOUR INTERVAL 20 FEET  
DASHED LINES REPRESENT 5 FOOT CONTOURS  
DATUM IS MEAN SEA LEVEL

THIS MAP COMPLIES WITH NATIONAL MAP ACCURACY STANDARDS  
FOR SALE BY U. S. GEOLOGICAL SURVEY, DENVER, COLORADO 80225, OR RESTON, VIRGINIA 22092  
A FOLDER DESCRIBING TOPOGRAPHIC MAPS AND SYMBOLS IS AVAILABLE ON REQUEST



Revisions shown in purple and recompilation of  
woodland areas compiled in cooperation with  
California Department of Water Resources from  
aerial photographs taken 1973. This information  
not field checked

ROAD CLASSIFICATION

Heavy-duty	Light-duty
Medium-duty	Unimproved dirt
U. S. Route	State Route

SUTTER BUTTES, CALIFORNIA  
NE/4 SUTTER BUTTES 15' QUADRANGLE  
N3907.5—W12145.7.5

PHOTOREVISED 1973  
AMS 1662 III NE—SERIES V895