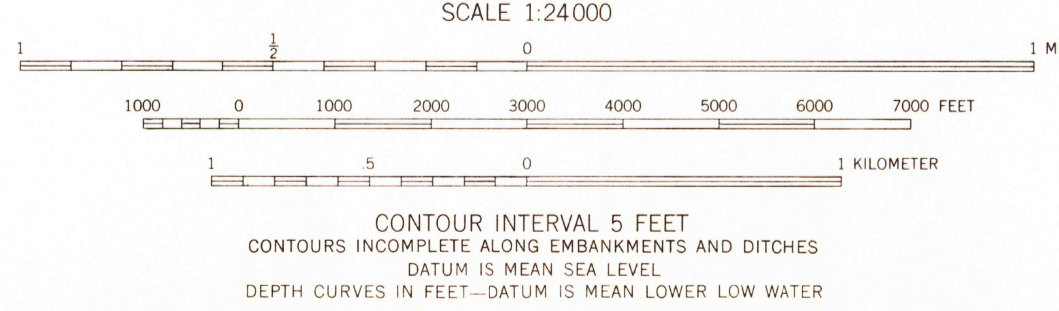
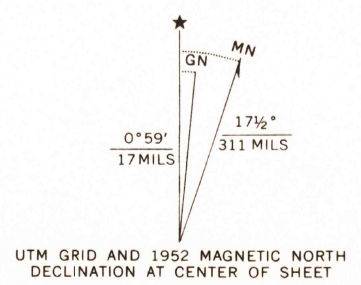
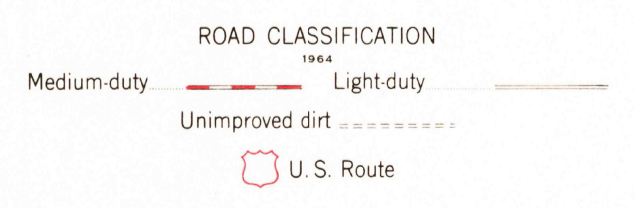


Mapped, edited, and published by the Geological Survey
Control by USC&GS
Mapped 1907-1908; remapped 1952
Culture and drainage by USC&GS from
aerial photographs taken 1931
Topography from plane-table surveys by USGS 1952
Polyconic projection, 1927 North American datum
10,000-foot grid based on California coordinate system, zone 3
Dashed land lines indicate approximate locations
The positions of township and range numbers in unsectionized
areas are approximate
Hydrography from USC&GS Chart 5527
1000-meter Universal Transverse Mercator grid ticks,
zone 10, shown in blue



USGS
Historical File
Topographic Division



TERMINOUS, CALIF.
SW/4 LODI 15 QUADRANGLE
N3800—W12122.5/7.5

THIS MAP COMPLIES WITH NATIONAL MAP ACCURACY STANDARDS
FOR SALE BY U.S. GEOLOGICAL SURVEY, DENVER 25, COLORADO OR WASHINGTON 25, D. C.
A FOLDER DESCRIBING TOPOGRAPHIC MAPS SYMBOLS IS AVAILABLE ON REQUEST

1952
AMS 1760 III SW—SERIES V895

2480