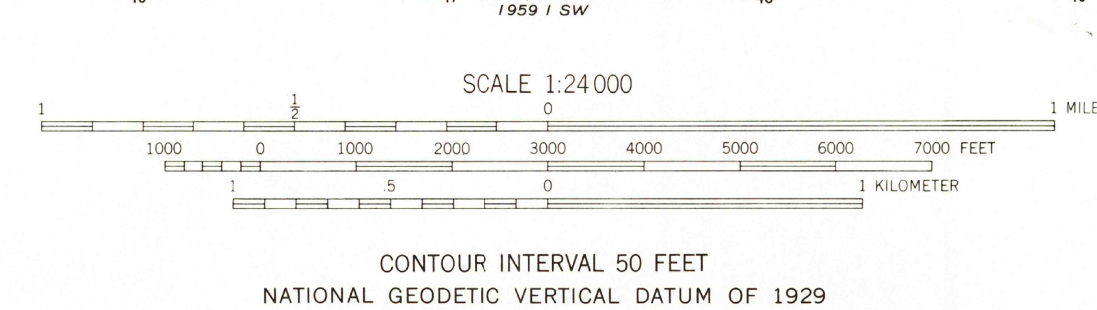
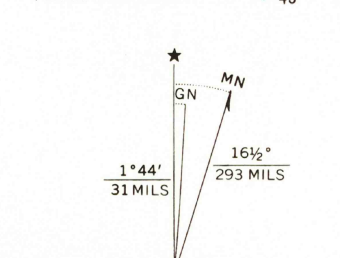


Maped, edited, and published by the Geological Survey
Control by USGS
Topography from aerial photographs by multiplex methods
Aerial photographs taken 1945. Field check, 1948
Polyconic projection, 1927 North American datum
10,000-foot grid based on California coordinate system,
zone 3
1000-meter Universal Transverse Mercator grid ticks,
zone 10, shown in blue
To place on the predicted North American Datum 1983
move the projection lines 12 meters north and
63 meters east as shown by dashed corner ticks
There may be private inholdings within the boundaries of
the National or State reservations shown on this map



ROAD CLASSIFICATION
Light duty ————— Unimproved dirt - - - - -
USGS
Historical File
Topographic Division
TUOLUMNE, CALIF. 2100
N3752.5-W12007.5/7.5
APR 16 1980

THIS MAP COMPLIES WITH NATIONAL MAP ACCURACY STANDARDS
FOR SALE BY U.S. GEOLOGICAL SURVEY, DENVER, COLORADO 80225, OR RESTON, VIRGINIA 22092
A FOLDER DESCRIBING TOPOGRAPHIC MAPS AND SYMBOLS IS AVAILABLE ON REQUEST

Revisions shown in purple compiled by the U.S. Forest Service
from aerial photographs taken 1973 and other source data
This information not field checked. Map edited by the
Geological Survey 1979
1948
PHOTOREVISED 1979
DMA 1959 I NW-SERIES V895