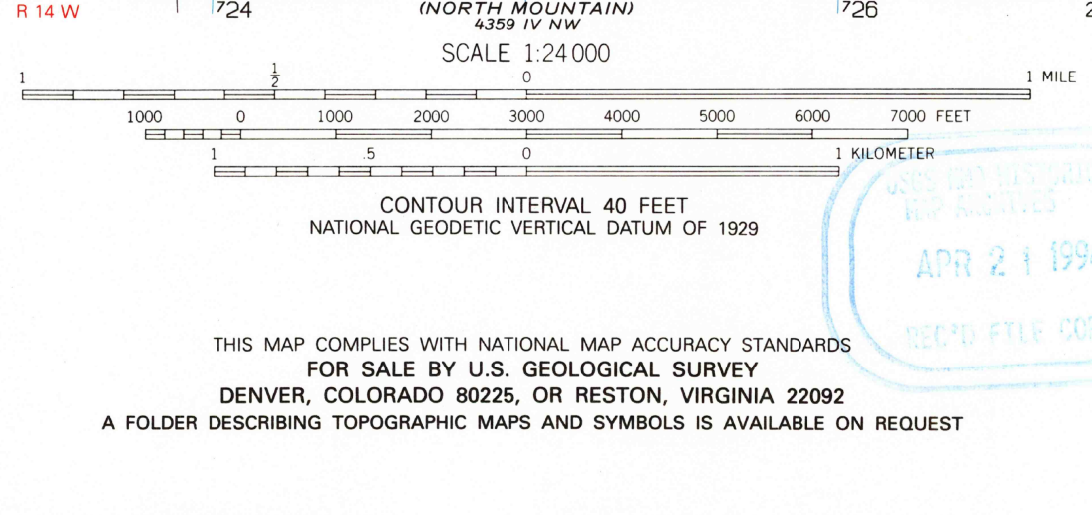
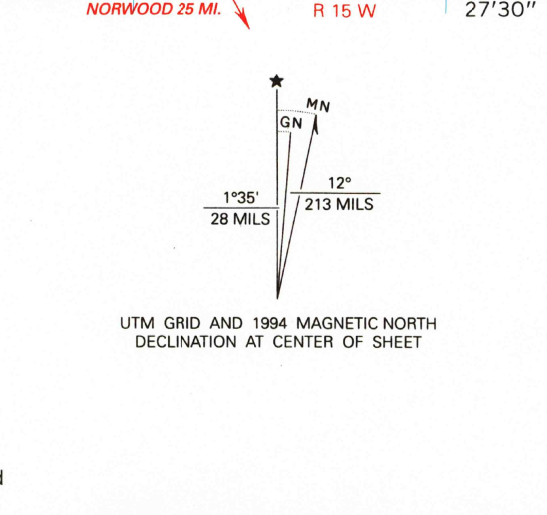


Produced by the United States Geological Survey
Control by USGS and NOS/NOAA
Compiled from aerial photographs taken 1963. Revised from aerial photographs taken 1988 and other sources. Field checked 1990
Map edited 1994
North American Datum of 1927 (NAD 27). Projection and 10,000-foot ticks: Colorado Coordinate System, south zone (Lambert Conformal Conic)
Blue 1000-meter Universal Transverse Mercator ticks, zone 12
North American Datum of 1983 (NAD 83) is shown by dashed corner ticks. The values of the shift between NAD 27 and NAD 83 for 7.5-minute intersections are obtainable from National Geodetic Survey NADCON software
There may be private inholdings within the boundaries of the National or State reservations shown on this map
Fine red dashed lines indicate selected fence and field lines where generally visible on aerial photographs. This information is unchecked
Certain land lines are omitted because of insufficient data



ROAD CLASSIFICATION
Primary highway, hard surface
Secondary highway, hard surface
Unimproved road
Light-duty road, hard or improved surface
Unimproved road
Interstate Route
U.S. Route
State Route

BARKELEW DRAW, COLO.
38108-A4-TF-024
1994
DMA 4360 III SW-SERIES V877