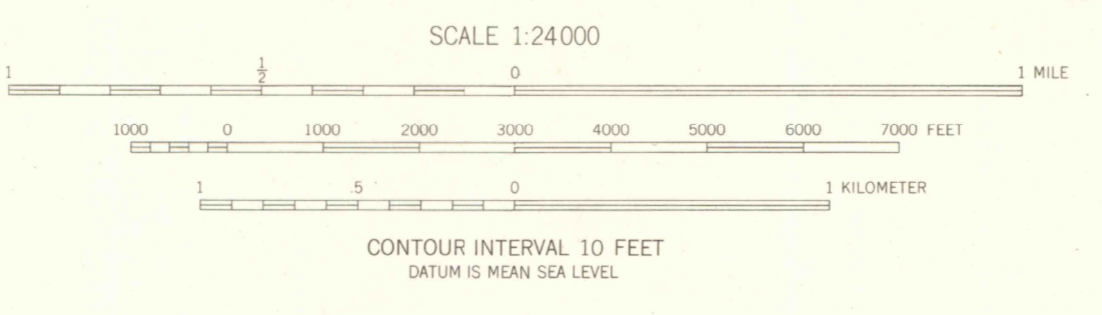
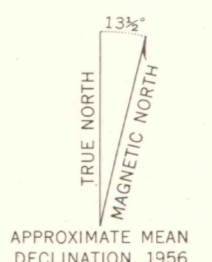


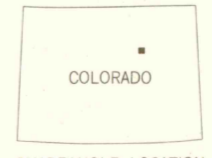
Mapped, edited, and published by the Geological Survey as part of the Department of the Interior program for the development of the Missouri River Basin

Control by USGS and USO&GS
Culture and drainage in part compiled from aerial photographs taken 1950. Topography by planetable surveys 1956

Polyconic projection. 1927 North American datum
10,000-foot grid based on Colorado coordinate system, central and north zones
1000-meter Universal Transverse Mercator grid ticks, zone 13, shown in blue



CONTOUR INTERVAL 10 FEET
DATUM IS MEAN SEA LEVEL



ROAD CLASSIFICATION
Heavy-duty ——— Light-duty ———
Medium-duty ——— Unimproved dirt - - - - -
U.S. Route □

BYERS, COLO.
N3937.5—W10407.5/7.5
1956

OFFICE COPY
LIBRARY USE ONLY

G 3700
s24
.G4
MAP ROOM
2/0

THIS MAP COMPLIES WITH NATIONAL MAP ACCURACY STANDARDS
FOR SALE BY U.S. GEOLOGICAL SURVEY, DENVER 2, COLORADO OR WASHINGTON 25, D. C.
A FOLDER DESCRIBING TOPOGRAPHIC MAPS AND SYMBOLS IS AVAILABLE ON REQUEST

MAY 12 2007

M.P. 2524
ARTHUR L. WATSON
GEOLOGICAL SURVEY
COLORADO