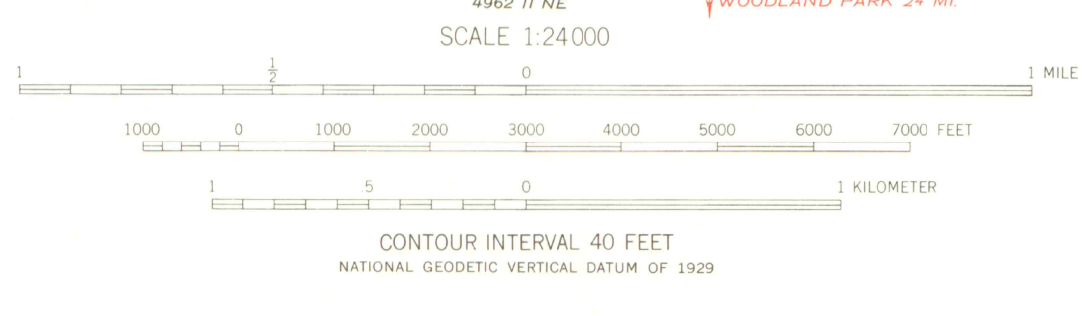
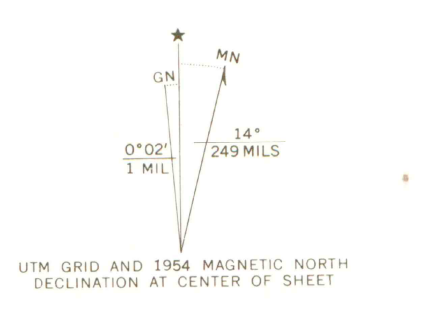




Maped, edited, and published by the Geological Survey as part of the Department of the Interior program for the development of the Missouri River Basin Control by USGS and USC&GS
Topography from aerial photographs by multiplex methods
Aerial photographs taken 1950. Field check 1954
Polyconic projection. 1927 North American datum 10,000-foot grid based on Colorado coordinate system, central zone
Dashed land lines indicate approximate locations
1000-meter Universal Transverse Mercator grid ticks, zone 10, shown in blue



ROAD CLASSIFICATION
Light duty ————— Unimproved dirt =

THIS MAP COMPLIES WITH NATIONAL MAP ACCURACY STANDARDS
FOR SALE BY U. S. GEOLOGICAL SURVEY, DENVER, COLORADO 80225, OR RESTON, VIRGINIA 22092
A FOLDER DESCRIBING TOPOGRAPHIC MAPS AND SYMBOLS IS AVAILABLE ON REQUEST

DEVILS HEAD, COLO.
N3915—W10500/7.5
1954
AMS 4962 I SE—SERIES V877

G 3700
MAP ROOM

NOV 1 2005