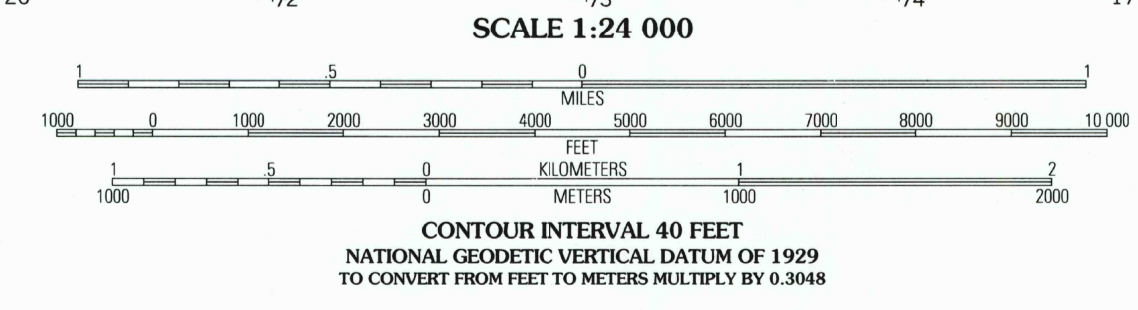
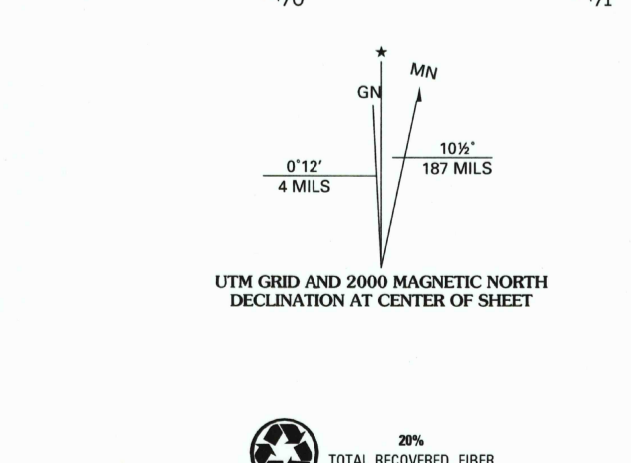


Produced by the United States Geological Survey 1984
 Revision by USDA Forest Service 1994
 Topography compiled 1950. Planimetry derived from imagery taken 1995 and other sources. Public Land Survey System and survey control current as of 1998.
 North American Datum of 1927 (NAD 27). Projection and 10 000-foot ticks: Colorado coordinate system, central zone (Lambert conformal conic). Blue 1000-meter Universal Transverse Mercator ticks, zone 13.
 North American Datum of 1983 (NAD 83) is shown by dashed corner ticks. The values of the shift between NAD 27 and NAD 83 for 7.5-minute intersections are obtainable from National Geodetic Survey NADCON software.
 Non-National Forest System lands within the National Forest. Inholdings may exist in other National or State reservations.
 This map is not a legal land line or ownership document. Public lands are subject to change and leasing, and may have access restrictions; check with local offices. Obtain permission before entering private lands.



QUADRANGLE LOCATION

1	2	3	1 Bailey
4	5	5 Decker	2 Pine
6	7	8	3 Platte Canyon
			4 Windy Peak
			5 Decker
			6 McCurdy Mountain
			7 Cheesman Lake
			8 Westcreek

ADJOINING 7.5' QUADRANGLES

HIGHWAYS AND ROADS

Interstate	Primary highway
U. S.	Secondary highway
State	Light-duty road
County	Paved
National Forest, suitable for passenger cars	Gravel
National Forest, suitable for high clearance vehicles	Dirt
National Forest Trail	Composition unspecified
	Unimproved; 4 wheel drive
	Trail
	Gate; Barrier

GREEN MOUNTAIN, CO
 1994
 NIMA 4962 IV SE - SERIES V877

RECEIVED
 AUG 31 2001
 HISTORICAL MAP ARCHIVES



THIS MAP COMPLIES WITH NATIONAL MAP ACCURACY STANDARDS
 FOR SALE BY U.S. GEOLOGICAL SURVEY, P.O. BOX 25286, DENVER, COLORADO 80225
 A FOLDER DESCRIBING TOPOGRAPHIC MAPS AND SYMBOLS IS AVAILABLE ON REQUEST

