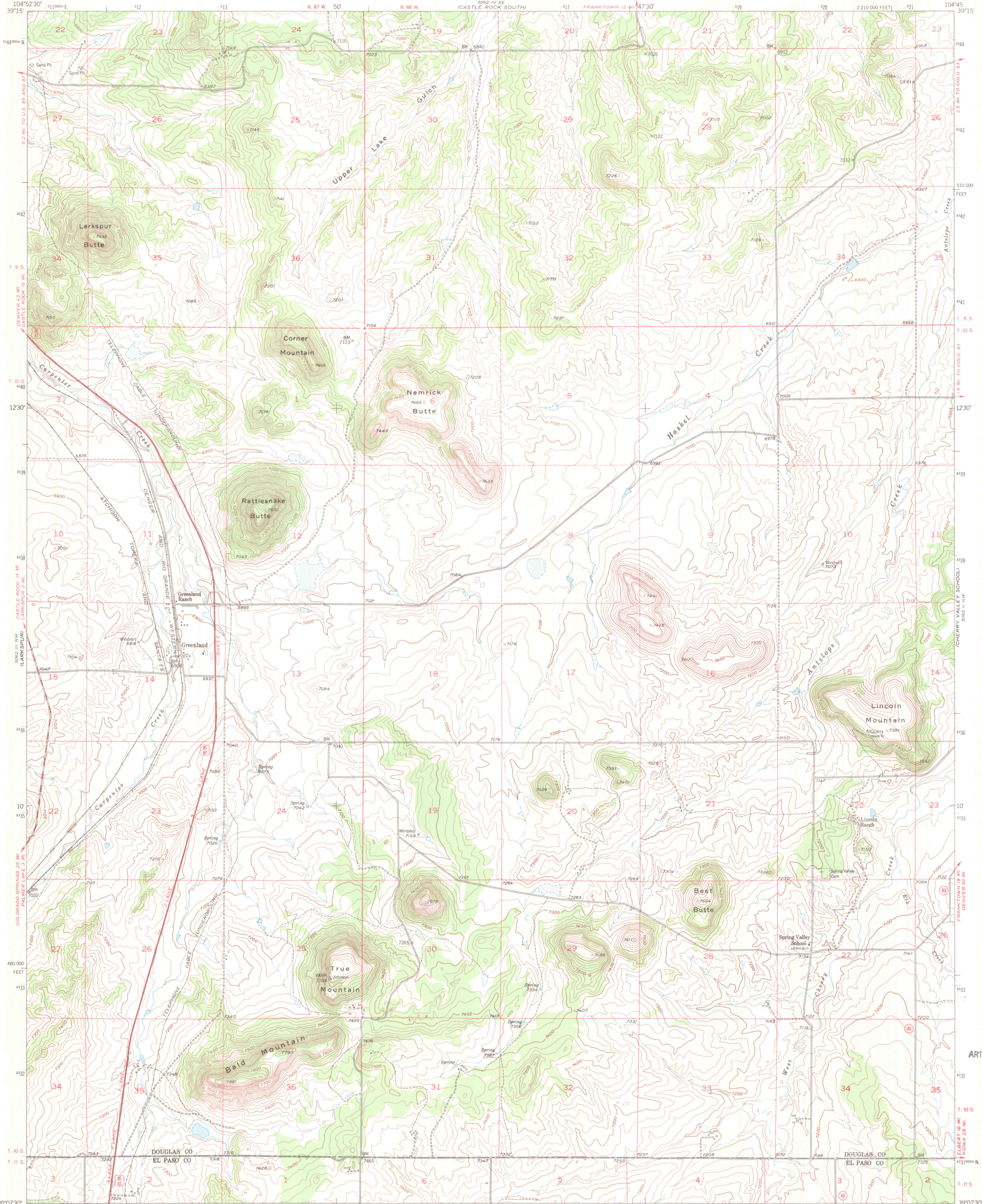


UNITED STATES
DEPARTMENT OF THE INTERIOR
GEOLOGICAL SURVEY

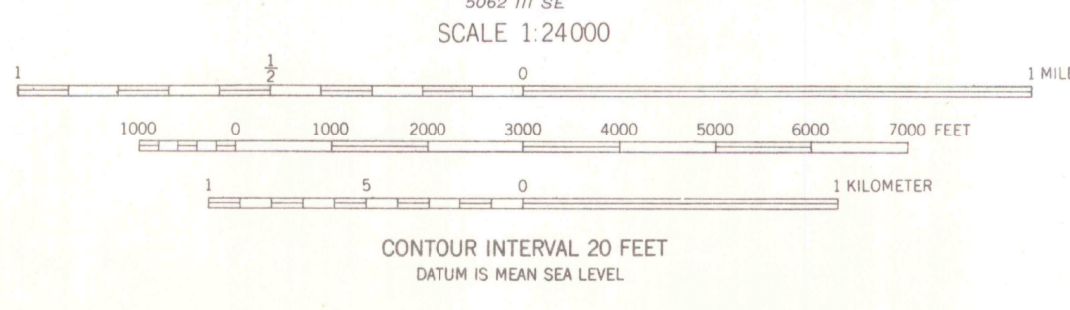
GREENLAND QUADRANGLE
COLORADO
7.5 MINUTE SERIES (TOPOGRAPHIC)



MAY 10 1983
MAP ROOM
ARTHUR LAKES LIBRARY

LIBRARY
MAY 10 1983
MAY 10 1983
MAY 10 1983
MAY 10 1983
MAY 10 1983

Mapped, edited, and published by the Geological Survey
Control by USGS and USC&GS
Topography from aerial photographs by multiplex methods
Aerial photographs taken 1952. Field check 1954
Polyconic projection, 1927 North American datum
10,000-foot grid based on Colorado coordinate system,
central zone
Dashed land lines indicate approximate locations
1000-meter Universal Transverse Mercator grid ticks,
zone 13, shown in blue



ROAD CLASSIFICATION

Heavy-duty	Light-duty
Medium-duty	Unimproved dirt
U.S. Route	State Route

GREENLAND, COLO.
N3907 5-W10445/7.5
1954
PROVO, UTAH

Greenland
1954
C.I.
172
14