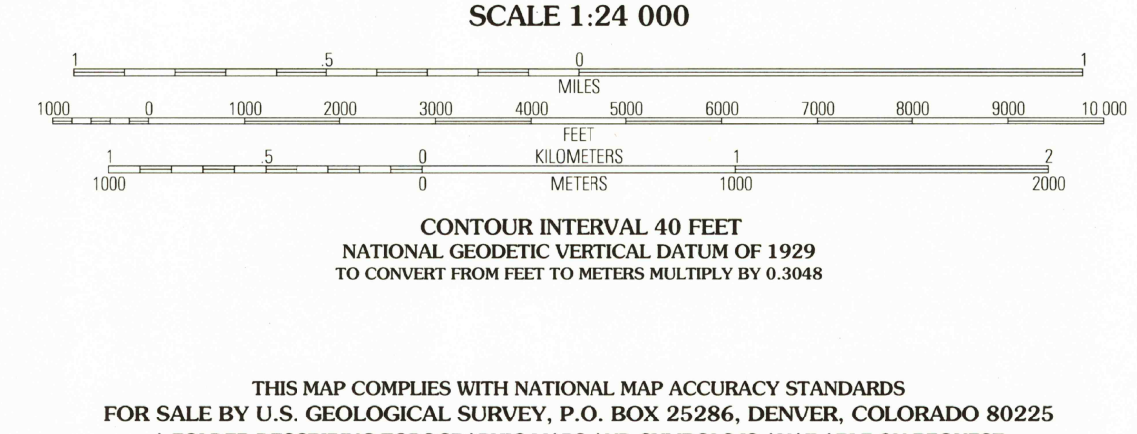
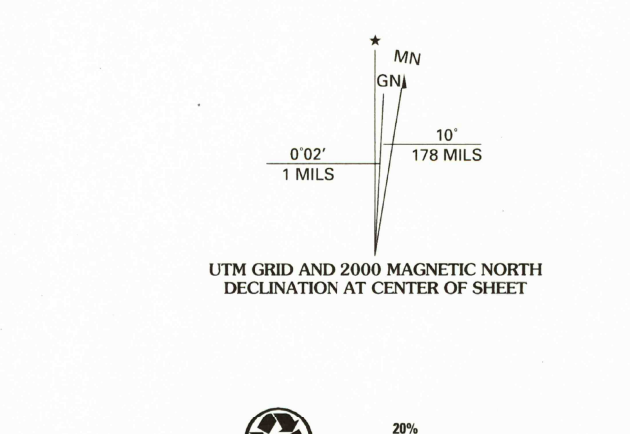


Produced by the United States Geological Survey 1971
Revision by USDA Forest Service 1994
Topography compiled 1970. Planimetry derived from imagery taken 1995 and other sources. Public Land Survey System and survey control current as of 1996.
North American Datum of 1927 (NAD 27). Projection and 10 000-foot ticks: Colorado coordinate system, south zone (Lambert conformal conic).
Blue 1000-meter Universal Transverse Mercator ticks, zone 13.
North American Datum of 1983 (NAD 83) is shown by dashed corner ticks. The values of the shift between NAD 27 and NAD 83 for 7.5-minute intersections are obtainable from National Geodetic Survey NADCON software.
Non-National Forest System lands within the National Forest
Inholdings may exist in other National or State reservations
This map is not a legal land line or ownership document. Public lands are subject to change and leasing, and may have access restrictions; check with local offices. Obtain permission before entering private land.



ADJOINING 7.5' QUADRANGLES

1	2	3	1 Cochran
			2 Spanish Peaks
			3 Santa Clara
4		5	4 Cochran Pass
			5 Galnare
			6 Stonewall
			7 Vigil
6	7	8	8 Weston

- HIGHWAYS AND ROADS
- Interstate 1-5
 - U. S. 100-900
 - State 1-99
 - County 1-99
 - National Forest, suitable for passenger cars 100-900
 - National Forest, suitable for high clearance vehicles 100-900
 - National Forest Trail 384
 - Primary highway
 - Secondary highway
 - Light-duty road
 - Composition: Unspecified
 - Paved
 - Gravel
 - Dirt
 - Unimproved; 4 wheel drive
 - Trail
 - Gate; Barrier

HERLICK CANYON, CO 1994
NIMA 5058 IV SW - SERIES V877

RECEIVED
FEB 28 2002
USGS/NIW
HISTORICAL MAP ARCHIVES

