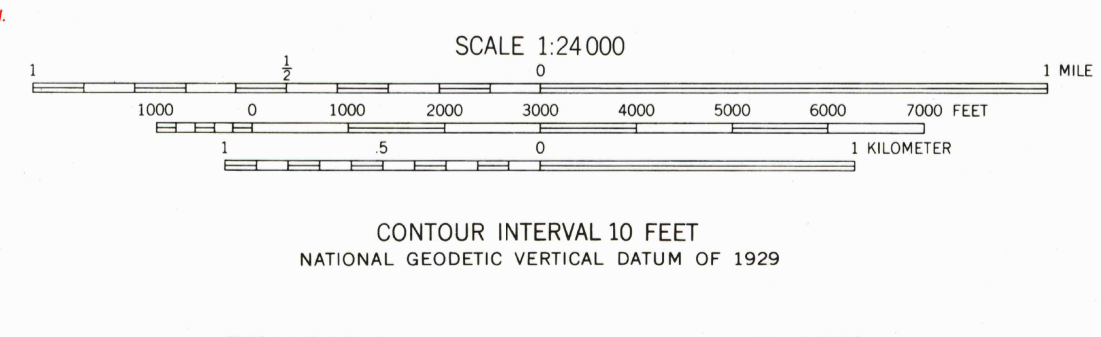
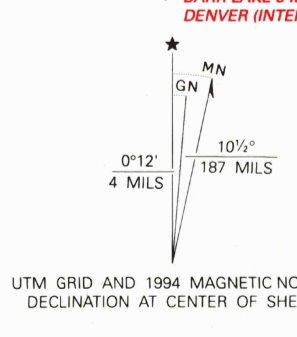


Produced by the United States Geological Survey Control by USGS and NOS/NOAA. Compiled from aerial photographs taken 1948. Field checked 1949. Revised from aerial photographs taken 1988 and other sources. Map edited 1994. Contours and land elevations have not been revised and may conflict with other content. North American Datum of 1927 (NAD 27). Projection and blue 1000-meter Universal Transverse Mercator ticks, zone 13 10 000-foot ticks. Colorado Coordinate System, north zone. North American Datum of 1983 (NAD 83) is shown by dashed corner ticks. The values of the shift between NAD 27 and NAD 83 for 7.5-minute intersections are obtainable from National Geodetic Survey NADCON software.



ROAD CLASSIFICATION: Primary highway, hard surface; Secondary highway, hard surface; Interstate Route; U.S. Route; State Route; Light-duty road, hard or improved surface; Unimproved road.

RECEIVED SEP 30 2001 HUDSON, CO 40104-A6-TF-024 1949 REVISED 1994 DMA 5064 I SW-SERIES 1877

THIS MAP COMPLIES WITH NATIONAL MAP ACCURACY STANDARDS FOR SALE BY U.S. GEOLOGICAL SURVEY, P.O. BOX 25286, DENVER, COLORADO 80225. A FOLDER DESCRIBING TOPOGRAPHIC MAPS AND SYMBOLS IS AVAILABLE ON REQUEST.

