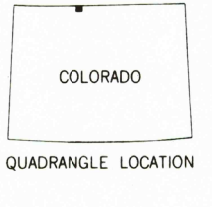
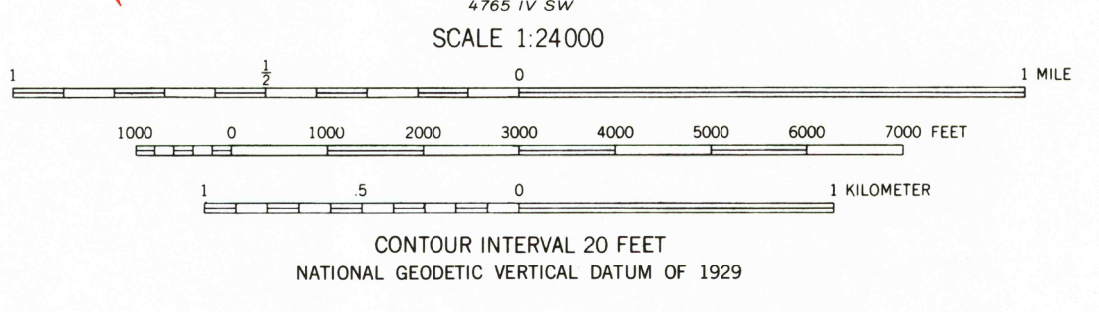
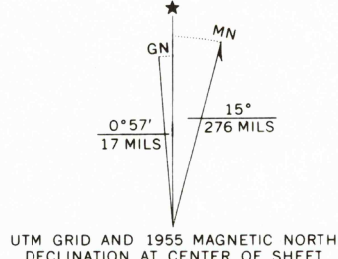


Mapped, edited, and published by the Geological Survey as part of the Department of the Interior program for the development of the Missouri River Basin Control by USGS and US&GS  
Topography from aerial photographs by multiplex methods  
Aerial photographs taken 1952. Field check 1955  
Polyconic projection. 1927 North American Datum  
10,000-foot grid based on Colorado coordinate system, north zone  
Unchecked elevations are shown in brown  
1000-meter Universal Transverse Mercator grid ticks, zone 13, shown in blue

To place on the predicted North American Datum 1983  
move the projection lines 6 meters north and  
50 meters east as shown by dashed corner ticks



ROAD CLASSIFICATION  
Medium-duty ——— Light-duty ———  
Unimproved dirt - - - - - State Route ○

INDEPENDENCE MOUNTAIN, COLO.  
(NW/4 COWDREY 15' QUADRANGLE)  
40106-H4-TF-024  
1955  
DMA 4765 IV NW-SERIES V877

USGS NMD RESEARCH  
OCT 25 1985  
REFERENCE COLLECTION

THIS MAP COMPLIES WITH NATIONAL MAP ACCURACY STANDARDS  
FOR SALE BY U. S. GEOLOGICAL SURVEY, DENVER, COLORADO 80225, OR RESTON, VIRGINIA 22092  
A FOLDER DESCRIBING TOPOGRAPHIC MAPS AND SYMBOLS IS AVAILABLE ON REQUEST