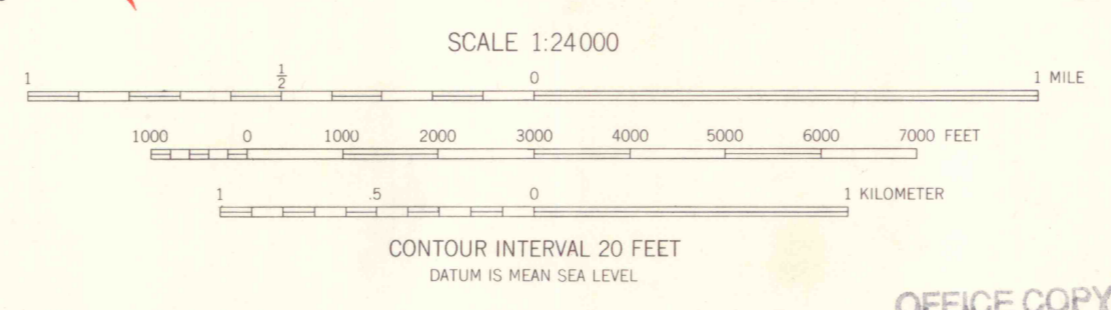


Mapped, edited, and published by the Geological Survey as part of the Department of the Interior program for the development of the Missouri River Basin Control by USGS and USC&GS
Topography from aerial photographs by multiplex methods
Aerial photographs taken 1952. Field check 1955
Polyconic projection. 1927 North American datum
10,000-foot grid based on Colorado coordinate system, north zone
Unchecked elevations are shown in brown

APPROXIMATE MEAN DECLINATION, 1955



INDEPENDENCE MOUNTAIN, COLO.
N4052.5-W10622.5/7.5
1955

THIS MAP COMPLIES WITH NATIONAL MAP ACCURACY STANDARDS
FOR SALE BY U.S. GEOLOGICAL SURVEY, DENVER 2, COLORADO OR WASHINGTON 25, D.C.
A FOLDER DESCRIBING TOPOGRAPHIC MAPS AND SYMBOLS IS AVAILABLE ON REQUEST