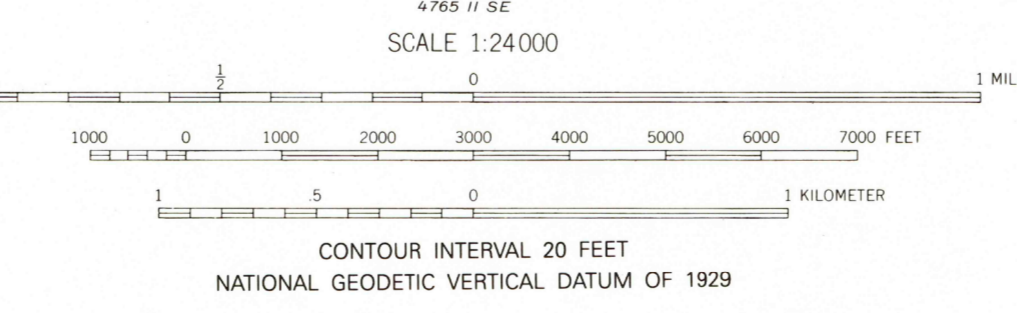
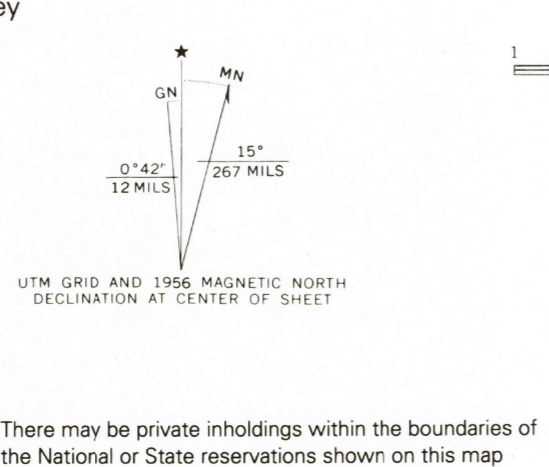
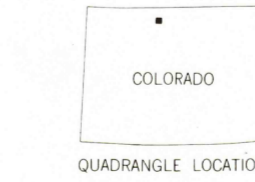


Mapped, edited, and published by the Geological Survey as part of the Department of the Interior program for treatment of the Missouri River Basin  
Control by USGS and NOS/NOAA  
Topography by photogrammetric methods from aerial photographs taken 1952. Field checked 1956  
Polyconic projection. 1927 North American Datum  
10,000-foot grid based on Colorado coordinate system, north zone  
1000-meter Universal Transverse Mercator grid ticks, zone 13, shown in blue  
The difference between 1927 North American Datum and North American Datum of 1983 (NAD 83) for 7.5 minute intersections is given in USGS Bulletin 1875. The NAD 83 is shown by dashed corner ticks  
Where omitted, land lines have not been established



THIS MAP COMPLIES WITH NATIONAL MAP ACCURACY STANDARDS  
FOR SALE BY U.S. GEOLOGICAL SURVEY  
DENVER, COLORADO 80225, OR RESTON, VIRGINIA 22092  
A FOLDER DESCRIBING TOPOGRAPHIC MAPS AND SYMBOLS IS AVAILABLE ON REQUEST

13 AUG 1991



ROAD CLASSIFICATION

Primary highway, hard surface	Light-duty road, hard or improved surface
Secondary highway, hard surface	Unimproved road
	State Route

JOHNNY MOORE MOUNTAIN, COLO.  
40106-F1-TF-024  
1956  
DMA 4765 II NE-SERIES V877

